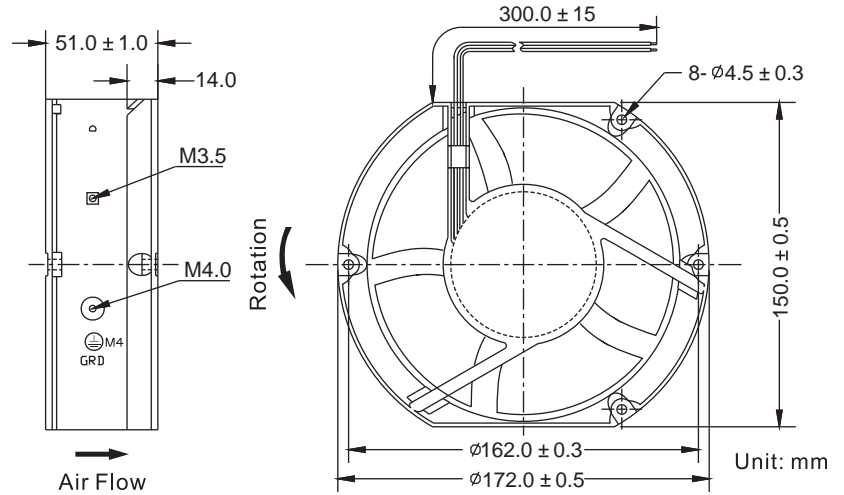




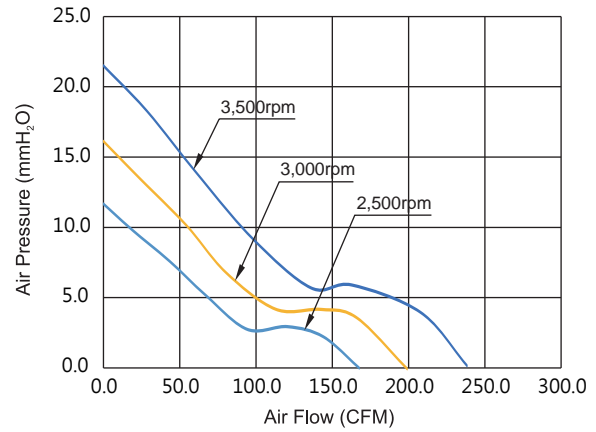
Dimensions Drawing



General Specification

- Frame : Aluminum Alloy
- Impeller : Thermal Plastic , UL 94V-2
- Lead Wires : UL Type
(+) : Red (-) : Black
- Operation Temperature : $-10^{\circ}\text{C} \sim 70^{\circ}\text{C}$
 $35\% \sim 85\% \text{RH}$
- Storage Temperature : $-40^{\circ}\text{C} \sim 80^{\circ}\text{C}$
 $35\% \sim 85\% \text{RH}$

Performance Curves



Listed Model	Bearing System	Rated Voltage	Frequency	Operation Voltage	Rated Current	Power	Rated Speed	Air Flow	Air Pressure	Noise Level	Weight
		VAC	Hz	VAC	A	W	RPM	CFM	mmH ₂ O	dBA	g
RJH1751B	Ball	100~240	50/60	85~265	0.36	22	3,500	238.3	21.5	58.2	738
RJM1751B	Ball	100~240	50/60	85~265	0.28	17.2	3,000	195.8	15.75	53.3	
RJL1751B	Ball	100~240	50/60	85~265	0.18	10	2,500	167.6	11.66	49.3	

※ Current and Power are not safety values.