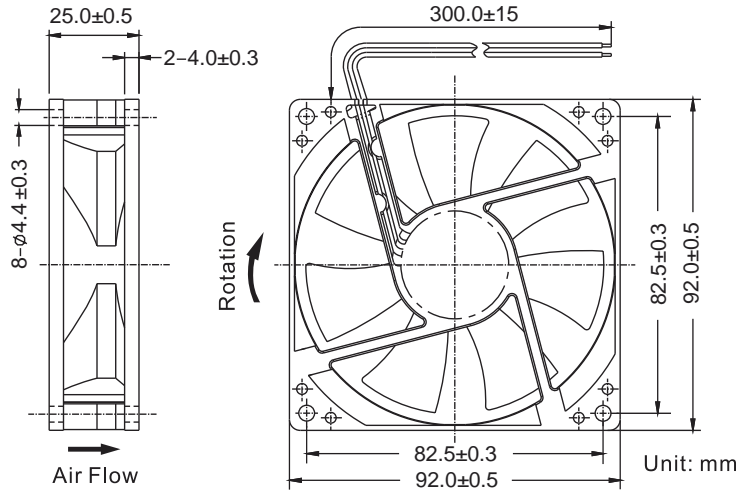


92 x 92 x 25 mm



Dimensions Drawing



General Specification

Frame and Impeller : Thermal Plastic , UL 94V-0

Lead Wires : UL Type

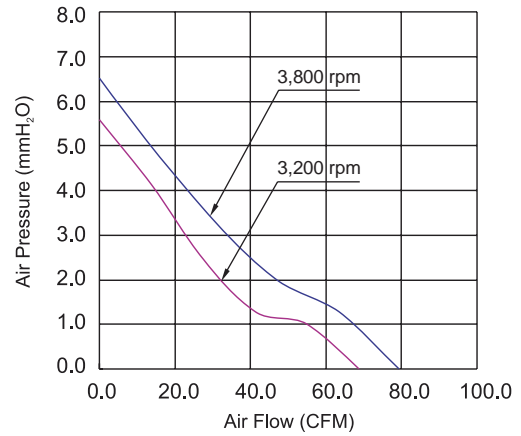
(+) : Red (-) : Black

Operation Temperature : -10°C~70°C
35%~85%RH

Storage Temperature : -40°C~80°C
35%~85%RH



Performance Curves



Listed Model	Bearing System	Rated Voltage	Operation Voltage	Rated Current	Rated Speed	Air Flow	Air Pressure	Noise Level	Available Features (Optional)				Weight
		VDC	VDC	A	RPM	CFM	mmH ₂ O	dBA	Tachometer Output	Rotation Detector	Thermal Control	Pulse Width Modulation	g
RDH9025S4	Sleeve	48	24.0~55.2	0.15	3,800	79.4	6.5	44	•	•		•	85
RDH9025B4	Ball		24.0~55.2	0.15	3,800	79.4	6.5	44	•	•		•	
RDH9025B6	Ball	60	36.0~72.0	0.20	3,200	68.7	5.6	39	•	•	•	•	

● All readings are typical values at rated voltage.
● Specifications are subjected to change without prior notice.