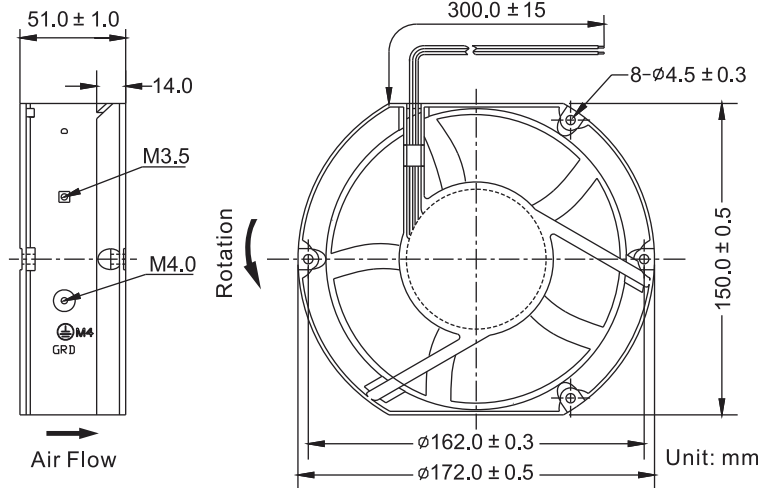


Ø 172 x 51 mm



Dimensions Drawing

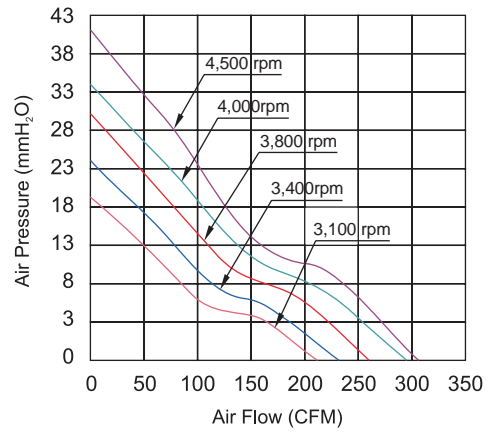


General Specification

- Frame : Aluminum Alloy
- Impeller : Thermal Plastic , UL 94V-2
- Lead Wires : UL Type
(+) : Red (-) : Black
- Operation Temperature : -10°C~70°C
35%~85%RH
- Storage Temperature : -40°C~80°C
35%~85%RH



Performance Curves



Listed Model	Bearing System	Rated Voltage	Operation Voltage	Rated Current	Rated Speed	Air Flow	Air Pressure	Noise Level	Available Features (Optional)				Weight
		VDC	VDC	A	RPM	CFM	mmH ₂ O	dBA	Tachometer Output	Rotation Detector	Thermal Control	Pulse Width Modulation	g
RDH1725B1-5	Ball	12	9.0~13.8	3.50	3,800	267.7	30.2	59	•	•		•	830
RDM1725B1-5			9.0~13.8	2.40	3,400	235.0	24.4	56	•	•		•	
RDL1725B1-5			9.0~13.8	1.70	3,100	211.8	19.8	54	•	•		•	
RDD1725B2-5	Ball	24	15.0~27.6	2.30	4,500	316.9	42.2	63	•	•		•	
RDH1725B2-5			15.0~27.6	1.80	4,000	285.0	34.8	61	•	•		•	
RDM1725B2-5			15.0~27.6	1.40	3,800	267.7	30.2	59	•	•		•	
RDL1725B2-5			15.0~27.6	0.95	3,400	235.0	24.4	56	•	•		•	
RDX1725B2-5			15.0~27.6	0.70	3,100	211.8	19.8	54	•	•		•	
RDD1725B4-5	Ball	48	24.0~55.2	1.20	4,500	316.9	42.2	63	•	•		•	
RDH1725B4-5			24.0~55.2	0.75	4,000	285.0	34.8	61	•	•		•	
RDM1725B4-5			24.0~55.2	0.60	3,800	267.7	30.2	59	•	•		•	
RDL1725B4-5			24.0~55.2	0.50	3,400	235.0	24.4	56	•	•		•	
RDX1725B4-5			24.0~55.2	0.40	3,100	211.8	19.8	54	•	•		•	

● All readings are typical values at rated voltage.
● Specifications are subjected to change without prior notice.