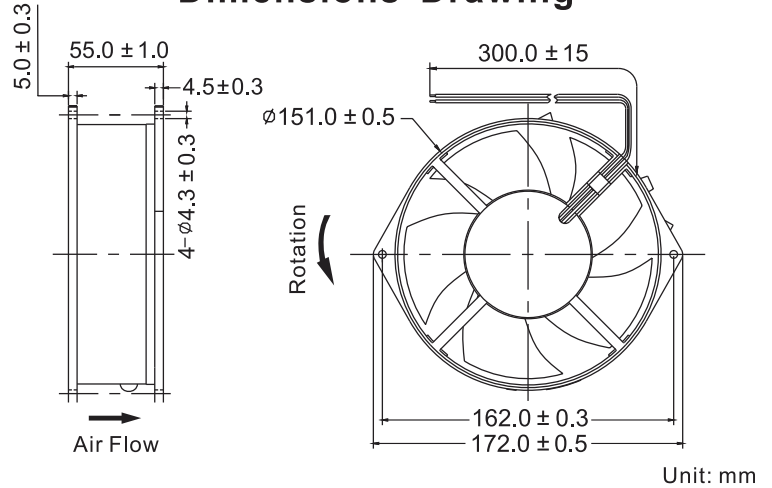


Ø 151 x 55 mm



Dimensions Drawing

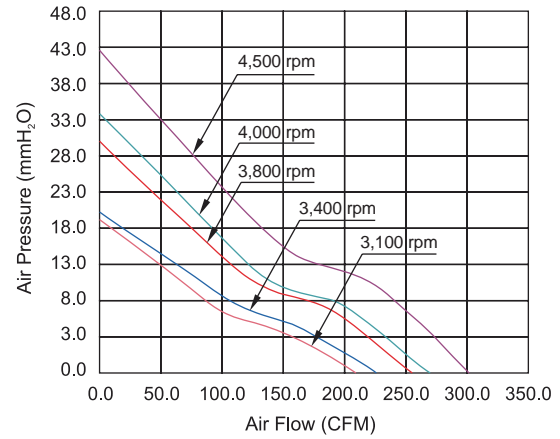


General Specification

- Frame : Aluminum Alloy
- Impeller : Thermal Plastic , UL 94V-2
- Lead Wires : UL Type  
(+) : Red (-) : Black
- Operation Temperature : -10°C~70°C  
35%~85%RH
- Storage Temperature : -40°C~80°C  
35%~85%RH



Performance Curves



Listed Model	Bearing System	Rated Voltage	Operation Voltage	Rated Current	Rated Speed	Air Flow	Air Pressure	Noise Level	Available Features (Optional)				Weight
		VDC	VDC	A	RPM	CFM	mmH <sub>2</sub> O	dBA	Tachometer Output	Rotation Detector	Thermal Control	Pulse Width Modulation	g
RDH1555B1-5	Ball	12	9.0~13.8	3.50	3,800	255.8	30.7	60	•	•		•	765
RDM1555B1-5			9.0~13.8	2.40	3,400	225.8	21.1	58	•	•		•	
RDL1555B1-5			9.0~13.8	1.70	3,100	209.4	20.2	54	•	•		•	
RDD1555B2-5	Ball	24	15.0~27.6	2.30	4,500	301.6	42.6	65	•	•		•	
RDH1555B2-5			15.0~27.6	1.80	4,000	270.0	34.2	62	•	•		•	
RDM1555B2-5			15.0~27.6	1.40	3,800	255.8	30.7	60	•	•		•	
RDL1555B2-5			15.0~27.6	0.95	3,400	225.8	21.1	58	•	•		•	
RDX1555B2-5			15.0~27.6	0.70	3,100	209.4	20.2	54	•	•		•	
RDD1555B4-5			Ball	48	24.0~55.2	1.20	4,500	301.6	42.6	65	•	•	
RDH1555B4-5	24.0~55.2	0.75			4,000	270.0	34.2	62	•	•		•	
RDM1555B4-5	24.0~55.2	0.60			3,800	255.8	30.7	60	•	•		•	
RDL1555B4-5	24.0~55.2	0.50			3,400	225.8	21.1	58	•	•		•	
RDX1555B4-5	24.0~55.2	0.40			3,100	209.4	20.2	54	•	•		•	

● All readings are typical values at rated voltage.  
● Specifications are subjected to change without prior notice.