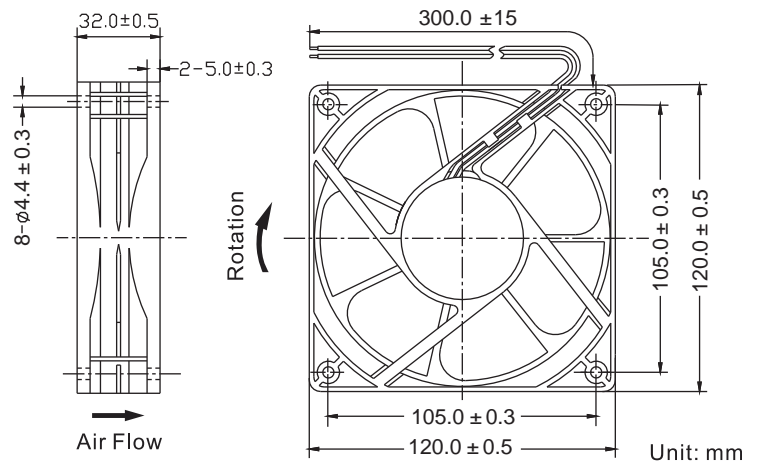




Dimensions Drawing



General Specification

Frame and Impeller : Thermal Plastic , UL 94V-0

Lead Wires : UL Type

(+) : Red (-) : Black

Operation Temperature : -10°C~70°C
35%~85%RH

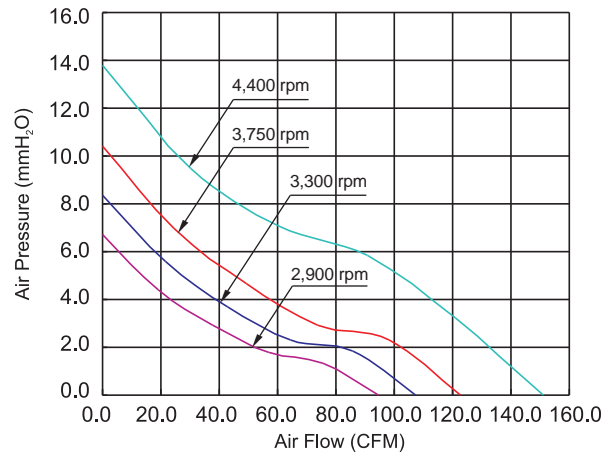
Storage Temperature : -40°C~80°C
35%~85%RH

(12V)

(24V 48V)

(60V)

Performance Curves



Listed Model	Bearing System	Rated Voltage	Operation Voltage	Rated Current	Rated Speed	Air Flow	Air Pressure	Noise Level	Available Features (Optional)				Weight
		VDC	VDC	A	RPM	CFM	mmH ₂ O	dBA	Tachometer Output	Rotation Detector	Thermal Control	Pulse Width Modulation	g
RDH1232S	Sleeve	12	6.0~13.8	0.60	3,750	121.5	10.8	51	•	•		•	250
RDM1232S			6.0~13.8	0.50	3,300	106.6	8.6	48	•	•		•	
RDL1232S			6.0~13.8	0.32	2,900	93.0	6.9	44	•	•		•	
RDH1232B	Ball		6.0~13.8	0.60	3,750	121.5	10.8	51	•	•		•	
RDM1232B			6.0~13.8	0.50	3,300	106.6	8.6	48	•	•		•	
RDL1232B			6.0~13.8	0.32	2,900	93.0	6.9	44	•	•		•	
RDH1232S	Sleeve	24	12.0~27.6	0.28	3,750	121.5	10.8	51	•	•		•	
RDM1232S			12.0~27.6	0.22	3,300	106.6	8.6	48	•	•		•	
RDL1232S			12.0~27.6	0.16	2,900	93.0	6.9	44	•	•		•	
RDH1232B	Ball		12.0~27.6	0.28	3,750	121.5	10.8	51	•	•		•	
RDM1232B			12.0~27.6	0.22	3,300	106.6	8.6	48	•	•		•	
RDL1232B			12.0~27.6	0.16	2,900	93.0	6.9	44	•	•		•	
RDH1232S	Sleeve	48	24.0~55.2	0.18	3,750	121.5	10.8	51	•	•		•	
RDM1232S			24.0~55.2	0.15	3,300	106.6	8.6	48	•	•		•	
RDL1232S			24.0~55.2	0.13	2,900	93.0	6.9	44	•	•		•	
RDH1232B	Ball		24.0~55.2	0.18	3,750	121.5	10.8	51	•	•		•	
RDM1232B			24.0~55.2	0.15	3,300	106.6	8.6	48	•	•		•	
RDL1232B			24.0~55.2	0.13	2,900	93.0	6.9	44	•	•		•	
RDH1232B6	Ball	60	36.0~72.0	0.30	4,400	151.1	13.8	55	•	•		•	

• All readings are typical values at rated voltage.
• Specifications are subjected to change without prior notice.