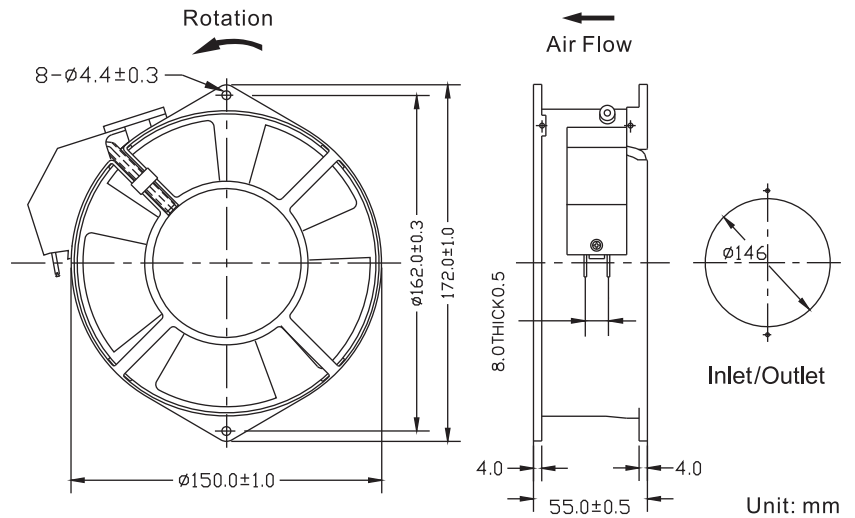




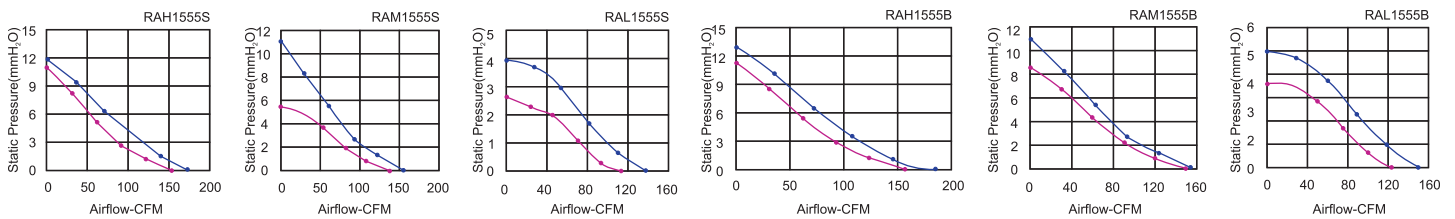
Dimensions Drawing



General Specification

- Impeller : PBT UL94V-0 Reinforced Plastic
- Frame : Aluminum Alloy
- Terminals : 0.5mm
- Lead Wire : AWG#22 UL 1015(Optional)
- Motor : Shaded Pole Induction Motor
- Operation Temperature : -10°C~+65°C
35%~85%RH
- Storage Temperature : -40°C~75°C
35%~85%RH
- (220~240V)
- (100~125V)

Performance Curves



Model	Bearing System	Voltage VAC	Freq. Hz	Current A	Power W	Speed RPM	Noise dBA	Air Flow		Static Pressure (mmH ₂ O)	Weight Gram
								M ³ /hr	CFM		
RAH1555S1	Sleeve	220~240	50/60	0.40	47/41	2650/3000	51/55	257/292	151/172	11.0/11.8	890
RAM1555S1		220~240	50/60	0.30	28/27	2400/2700	48/51	232/260	137/153	5.5/11.0	
RAL1555S1		220~240	50/60	0.20	20/20	2000/2400	43/48	195/232	115/137	2.6/3.9	
RAH1555S2		100~125	50/60	0.60	47/41	2650/3000	51/55	257/292	151/172	11.0/11.8	
RAM1555S2		100~125	50/60	0.50	28/27	2400/2700	48/51	232/260	137/153	5.5/11.0	
RAL1555S2		100~125	50/60	0.40	20/20	2000/2400	43/48	195/232	115/137	2.6/3.9	
RAH1555B1	Ball	220~240	50/60	0.40	47/41	2700/3100	52/56	263/308	155/181	11.6/13.3	
RAM1555B1		220~240	50/60	0.30	28/27	2500/2700	50/52	253/260	149/153	8.6/11.0	
RAL1555B1		220~240	50/60	0.20	20/20	2100/2500	45/50	209/253	123/149	3.6/4.9	
RAH1555B2		100~125	50/60	0.60	47/41	2700/3100	52/56	263/308	155/181	11.6/13.3	
RAM1555B2		100~125	50/60	0.50	28/27	2500/2700	50/52	253/260	149/153	8.6/11.0	
RAL1555B2		100~125	50/60	0.40	20/20	2100/2500	45/50	209/253	123/149	3.6/4.9	

● All readings are typical values at rated voltage.
● Specifications are subjected to change without prior notice.