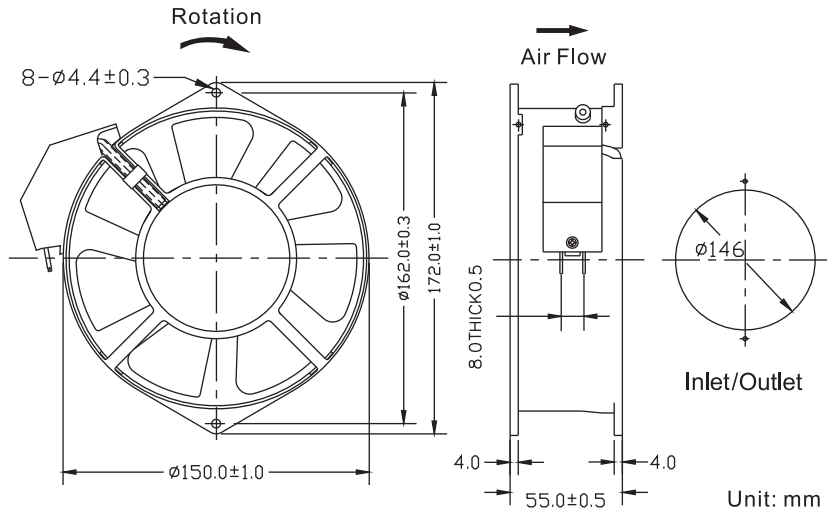


Dimensions Drawing

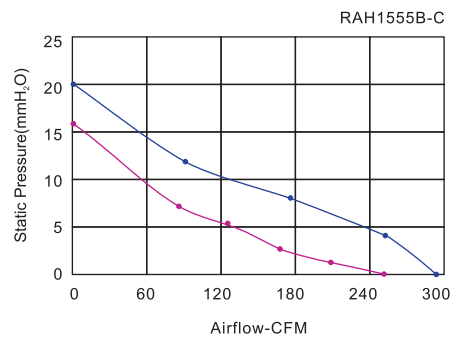


Unit: mm

General Specification

- Impeller : PBT UL94V-0 Reinforced Plastic
- Frame : Aluminum Alloy
- Terminals : 0.5mm
- Lead Wire : AWG#22 UL 1015(Optional)
- Motor : Capacitor-Run Induction Motor
- Operation Temperature : -10°C~+65°C
35%~85%RH
- Storage Temperature : -40°C~75°C
35%~85%RH
- [®] _{US}

Performance Curves



Key
— 60Hz
— 50Hz

Model	Bearing System	Voltage VAC	Freq. Hz	Current A	Power W	Speed RPM	Noise dBA	Air Flow		Static Pressure (mmH ₂ O)	Weight Gram
								M ³ /hr	CFM		
RAH1555B1-C	Ball	220~240	50/60	0.20/0.22	46/50	2850/3300	56/61	425/498	250/293	16.0/20.0	870
RAH1555B2-C		100~125	50/60	0.35/0.40	46/50	2850/3300	56/61	425/498	250/293	16.0/20.0	