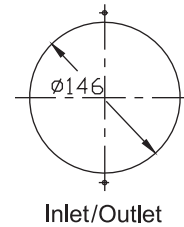
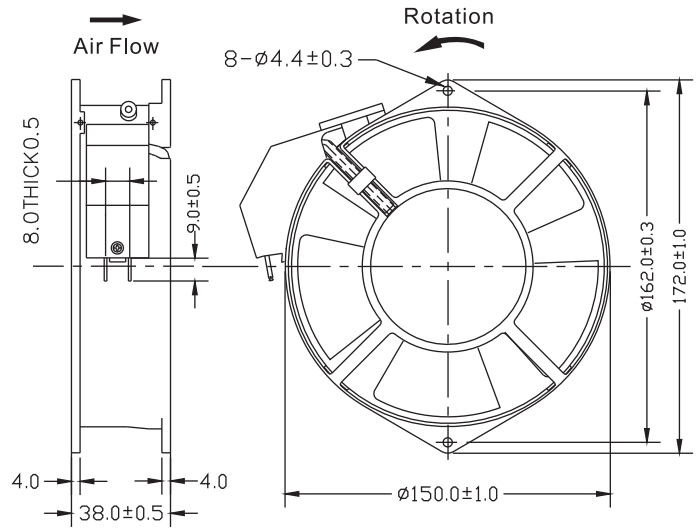




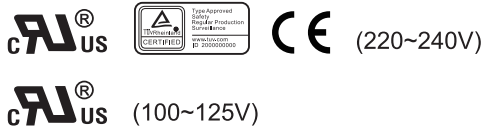
Dimensions Drawing



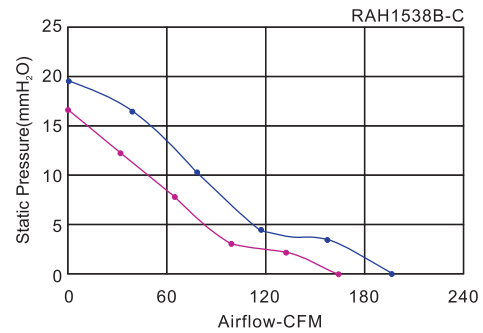
Unit: mm

General Specification

- Impeller : PBT UL94V-0 Reinforced Plastic
- Frame : Aluminum Alloy
- Terminals : 0.5mm
- Lead Wire : AWG#22 UL 1015(Optional)
- Motor : Capacitor-Run Induction Motor
- Operation Temperature : -10°C~+70°C
35%~85%RH
- Storage Temperature : -40°C~75°C
35%~85%RH



Performance Curves



Key
— 60Hz
— 50Hz

| Model | Bearing System | Voltage VAC | Freq. Hz | Current A | Power W | Speed RPM | Noise dBA | Air Flow | | Static Pressure (mmH ₂ O) | Weight Gram |
|-------------|----------------|-------------|----------|-----------|---------|-----------|-----------|--------------------|---------|--------------------------------------|-------------|
| | | | | | | | | M ³ /hr | CFM | | |
| RAH1538B1-C | Ball | 220~240 | 50/60 | 0.16/0.17 | 36/35 | 2850/3400 | 57/61 | 282/336 | 166/198 | 16.7/19.5 | 710 |
| RAH1538B2-C | | 100~125 | 50/60 | 0.25/0.26 | 30/31 | 2850/3400 | 57/61 | 282/336 | 166/198 | 16.7/19.5 | |