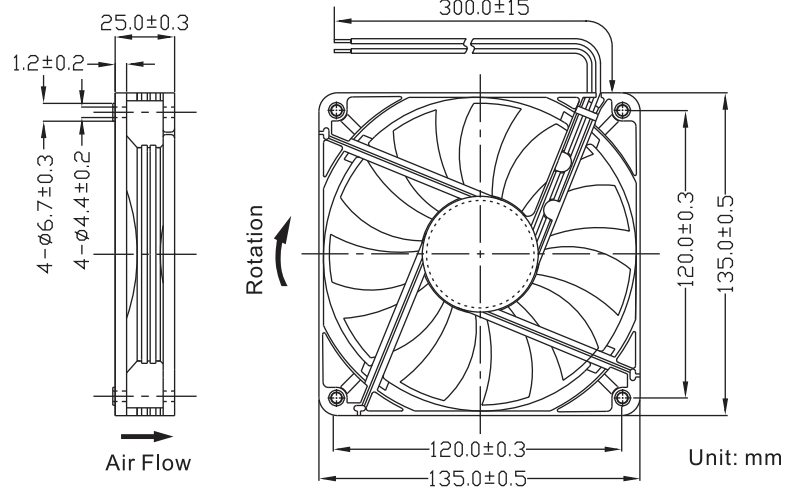




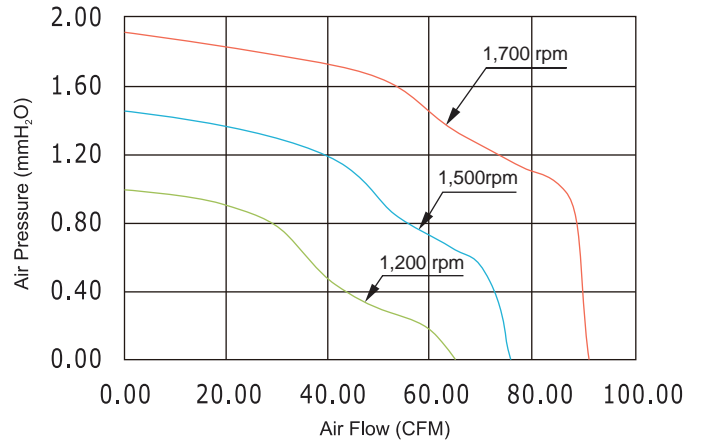
## Dimensions Drawing



## General Specification

- Frame and Impeller : Thermal Plastic , UL 94V-0
- Lead Wires : UL Type  
(+) : Red (-) : Black
- Operation Temperature : -10°C~70°C  
5%~90%RH
- Storage Temperature : -40°C~75°C  
5%~90%RH
- 

## Performance Curves



Listed Model	Bearing System	Rated Voltage	Operation Voltage	Rated Current	Rated Speed	Air Flow	Air Pressure	Noise Level	Available Features (Optional)				Weight
		VDC	VDC	A	RPM	CFM	mmH <sub>2</sub> O	dBA	Tachometer Output	Rotation Detector	Thermal Control	Pulse Width Modulation	g
DFS132512H	Sleeve	12	10.8~13.2	0.25	1,700	91.2	1.9	36	•	•	•	•	197
DFS132512M			10.8~13.2	0.20	1,500	78.1	1.5	34	•	•	•	•	
DFS132512L			10.8~13.2	0.12	1,200	64.4	1.0	28	•	•	•	•	
DFB132512H	Ball		10.8~13.2	0.25	1,700	91.2	1.9	36	•	•	•	•	
DFB132512M			10.8~13.2	0.20	1,500	78.1	1.5	34	•	•	•	•	
DFB132512L			10.8~13.2	0.12	1,200	64.4	1.0	28	•	•	•	•	