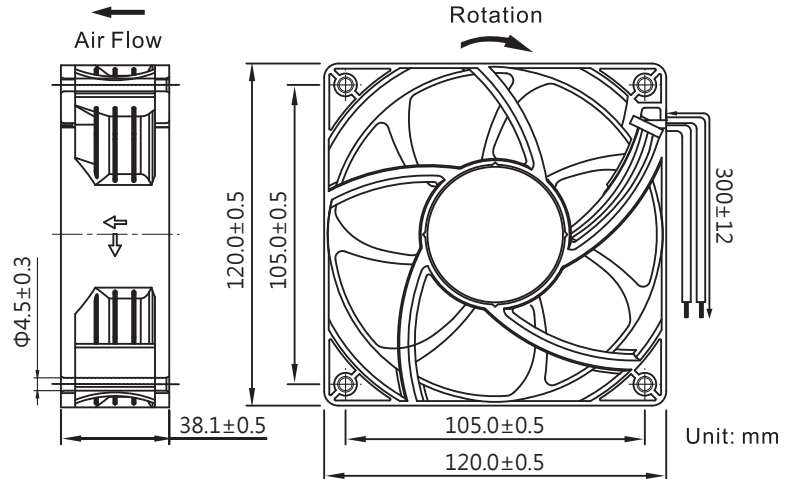




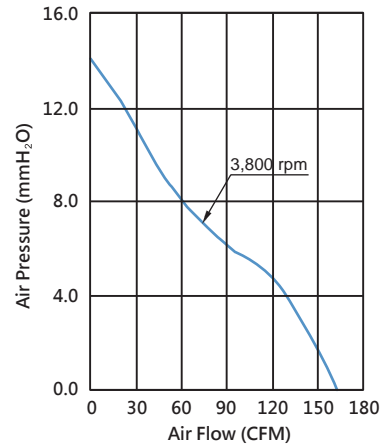
Dimensions Drawing



General Specification

- Frame and Impeller : Thermal Plastic , UL 94V-0
- Lead Wires : UL Type
- Operation Temperature : -10°C~70°C
35%~85%RH
- Storage Temperature : -40°C~75°C
35%~85%RH

Performance Curves



Listed Model	Bearing System	Rated Voltage	Frequency	Operation Voltage	Rated Current	Power	Rated Speed	Air Flow	Air Pressure	Noise Level	Available Features (Optional)				Weight
		VAC	Hz	VAC	A	W	RPM	CFM	mmH ₂ O	dBA	Tachometer Output	Rotation Detector	Thermal Control	Pulse Width Modulation	g
RJD1238B2	Ball	230	50/60	200~240	0.12	15.0	3,800	163	14.0	52.5	•	•		•	270