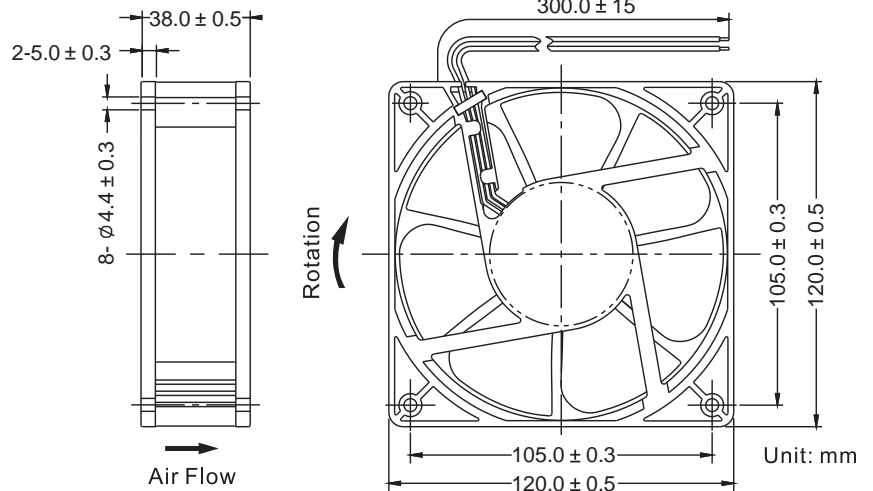




Dimensions Drawing

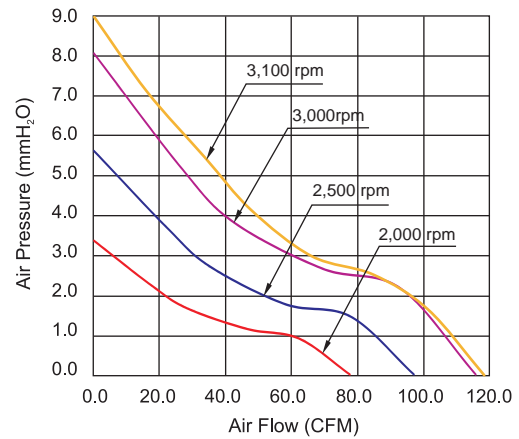


General Specification

- Frame and Impeller : Thermal Plastic , UL 94V-0
- Lead Wires : UL Type
- Operation Temperature : -10°C~70°C
35%~85%RH
- Storage Temperature : -40°C~80°C
35%~85%RH



Performance Curves



Listed Model	Bearing System	Rated Voltage	Frequency	Operation Voltage	Rated Current	Power	Rated Speed	Air Flow	Air Pressure	Noise Level	Weight
		VAC	Hz	VAC	A	W	RPM	CFM	mmH ₂ O	dBA	g
RJH1238B2	Ball	230	50/60	140~264	0.06	6.3	3,100	118.2	9.0	46	270
RJH1238B2				140~264	0.05	6.0	3,000	116.3	8.0	45	
RJM1238B2				140~264	0.04	4.0	2,500	96.8	5.6	40	
RJL1238B2				140~264	0.03	2.5	2,000	77.4	3.3	35	
RJH1238B	Ball	115/230	50/60	85~264	0.12	8.0	3,000	116.3	8.0	45	
RJM1238B				85~264	0.10	6.0	2,500	96.8	5.6	40	
RJL1238B				85~264	0.08	4.0	2,000	77.4	3.3	35	

● All readings are typical values at rated voltage.
● Specifications are subjected to change without prior notice.