

# Office Equipment



辦公室設備



[info@x-fan.com](mailto:info@x-fan.com)

TEL : +886-7-2692559

FAX : +886-7-2692590



# Office Equipment

## 辦公室設備

※ Please do not hesitate to let us know if any customization request.  
本公司亦提供客製化服務，若有其他需求歡迎聯絡我們。



### Projector 投影機

DC Axial Fan & Blower : 25x10/30x06/51x15/60x25/80x25 mm



### Multifunction Printer 事務機器

DC Axial Fan & Blower : 40x10/40x20/50x15/  
51x15/51x25/60x20/60x25/80x25/92x25/120x25mm



# Contents 目錄

## ✿ Axial Fan



04	DC_2510
05	DC_3006
06	DC_4010
07	DC_4020

08	DC_5015
09	DC_6020
10	DC_6025
11	DC_8025

12	DC_9025
13	DC_1225

## ✿ Blower

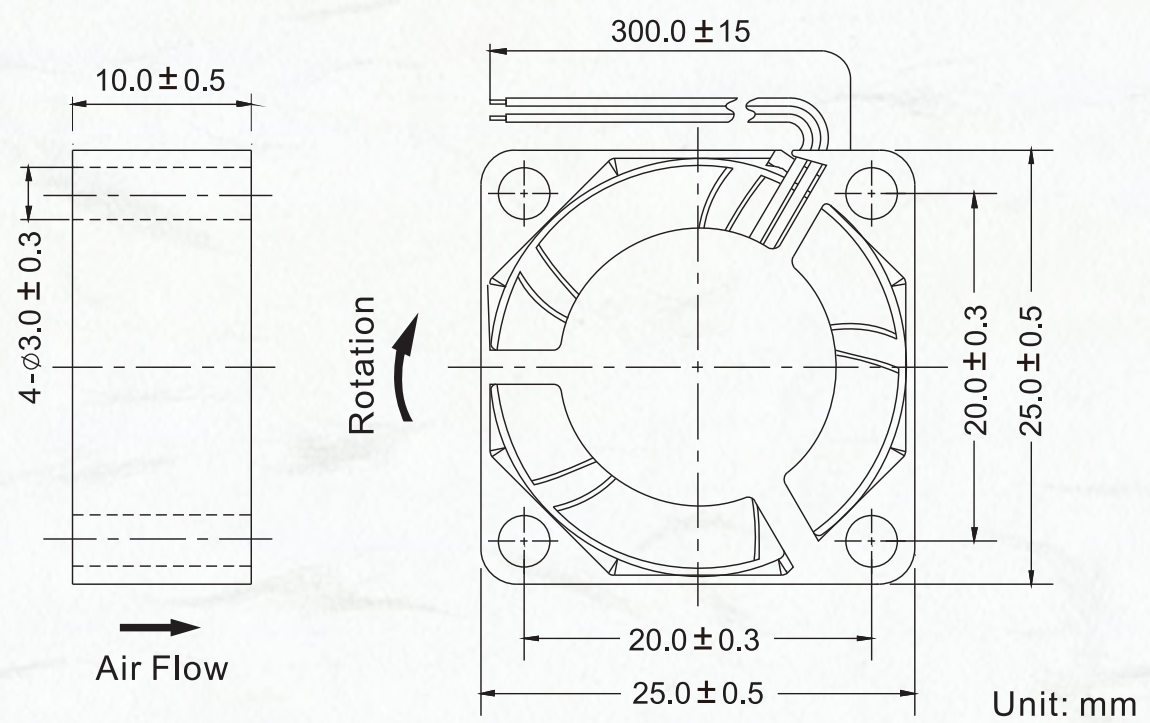


14	5015
15	5125



25 x 25 x 10 mm

Dimensions Drawing



Main Application : Projector

主要應用：投影機



Energy Saving

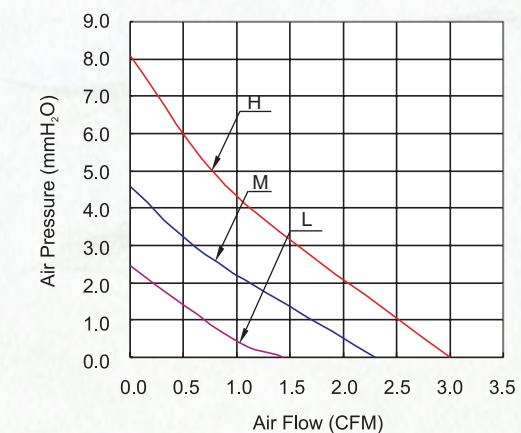


Low Noise

General Specification

- Frame and Impeller : Thermal Plastic , UL 94V-0
- Lead Wires : UL Type  
(+) : Red (-) : Black
- Operation Temperature : -10°C~70°C  
35%~85%RH
- Storage Temperature : -40°C~80°C  
35%~85%RH
- UL US CE

Performance Curves

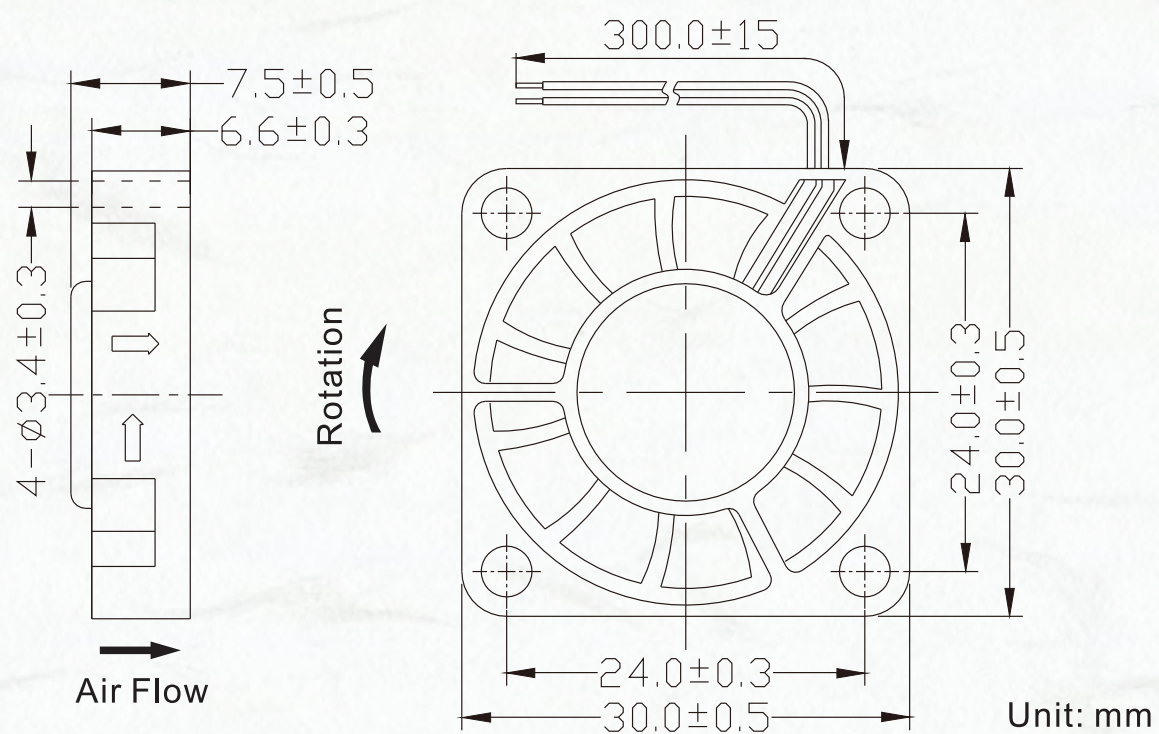


Listed Model	Bearing System	Rated Voltage	Operation Voltage	Rated Current	Rated Speed	Air Flow	Air Pressure	Noise Level	Available Features (Optional)				Weight
		VDC	VDC	A	RPM	CFM	mmH <sub>2</sub> O	dBA	Tachometer Output	Rotation Detector	Thermal Control	Pulse Width Modulation	g
RDH2510S5	Sleeve	5	4.0~5.75	0.16	13,000	3.0	8.1	30	•	•			7
RDM2510S5			4.0~5.75	0.12	10,000	2.3	4.6	23	•	•			
RDL2510S5			4.0~5.75	0.08	7,000	1.4	2.5	19	•	•			
RDH2510B5	Ball		4.0~5.75	0.16	13,000	3.0	8.1	30	•	•			
RDM2510B5			4.0~5.75	0.12	10,000	2.3	4.6	23	•	•			
RDL2510B5			4.0~5.75	0.08	7,000	1.4	2.5	19	•	•			
RDH2510S	Sleeve	12	6.0~13.8	0.10	13,000	3.0	8.1	30	•	•			
RDM2510S			6.0~13.8	0.08	10,000	2.3	4.6	23	•	•			
RDL2510S			6.0~13.8	0.06	7,000	1.4	2.5	19	•	•			
RDH2510B	Ball		6.0~13.8	0.10	13,000	3.0	8.1	30	•	•			
RDM2510B			6.0~13.8	0.08	10,000	2.3	4.6	23	•	•			
RDL2510B			6.0~13.8	0.06	7,000	1.4	2.5	19	•	•			



30 x 30 x 06 mm

Dimensions Drawing



Main Application : Projector

主要應用：投影機



Energy Saving

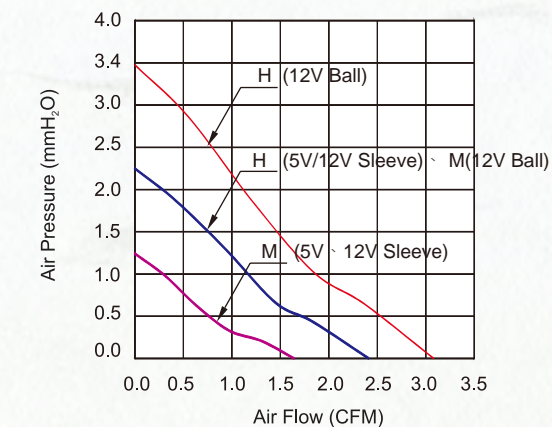


Low Noise

General Specification

- Frame and Impeller : Thermal Plastic , UL 94V-0
- Lead Wires : UL Type  
(+) : Red (-) : Black
- Operation Temperature : -10°C~70°C  
5%~90%RH
- Storage Temperature : -40°C~75°C  
5%~95%RH
- UL US CE (5V 12V)

Performance Curves

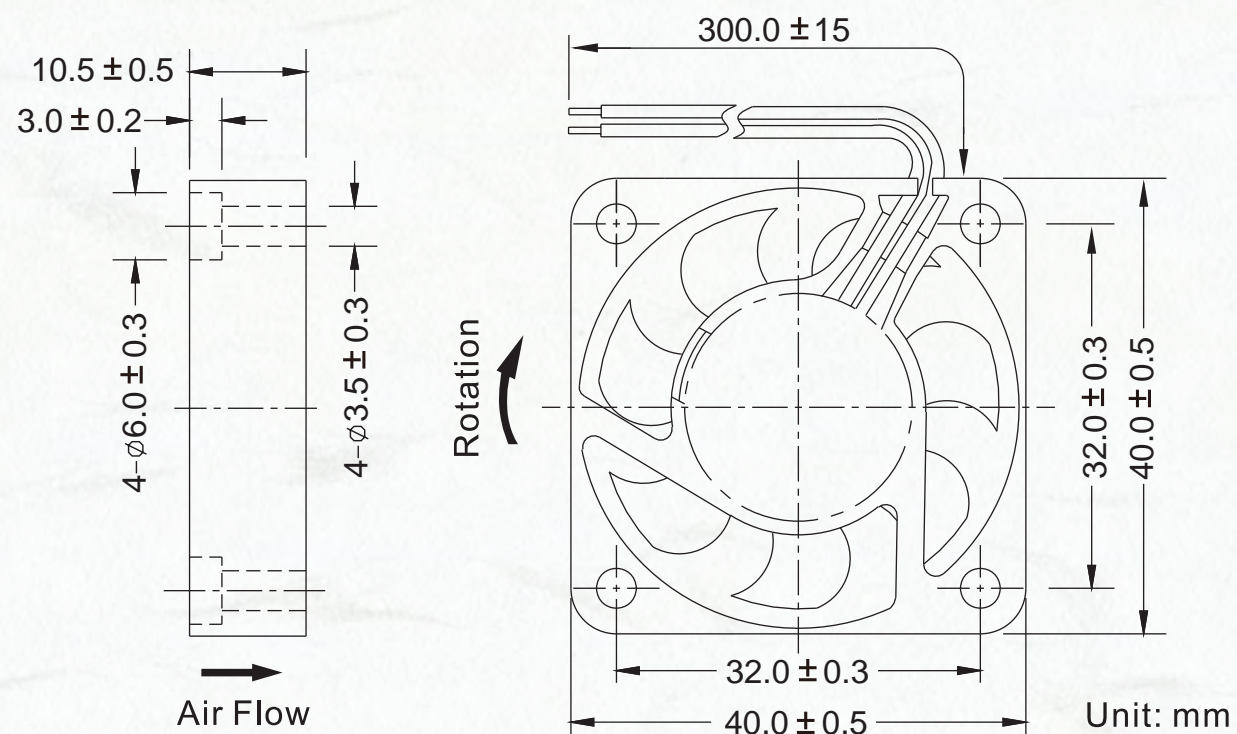


Listed Model	Bearing System	Rated Voltage	Operation Voltage	Rated Current	Rated Speed	Air Flow	Air Pressure	Noise Level	Available Features (Optional)				Weight
		VDC	VDC	A	RPM	CFM	mmH <sub>2</sub> O	dBA	Tachometer Output	Rotation Detector	Thermal Control	Pulse Width Modulation	g
DFS300605H	Sleeve	5	4.0~6.0	0.20	8,000	2.41	2.25	28	•	•			5
DFS300605M			4.0~6.0	0.12	6,000	1.64	1.24	22	•	•			
DFB300605H	Ball		4.0~6.0	0.20	8,000	2.41	2.25	28	•	•			
DFB300605M			4.0~6.0	0.12	6,000	1.64	1.24	22	•	•			
DFS300612H	Sleeve	12	10.8~13.2	0.12	8,000	2.41	2.25	28	•	•			
DFS300612M			10.8~13.2	0.10	6,000	1.64	1.24	22	•	•			
DFB300612H	Ball		10.8~13.2	0.12	10,000	3.08	3.40	32	•	•			
DFB300612M			10.8~13.2	0.10	8,000	2.41	2.25	28	•	•			



40 x 40 x 10 mm

Dimensions Drawing



Main Application : Multifunction Printer

主要應用：事務機器



Energy Saving

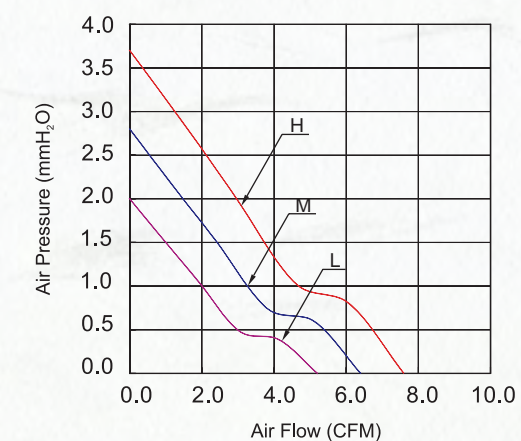


Low Noise

General Specification

- Frame and Impeller : Thermal Plastic , UL 94V-0
- Lead Wires : UL Type  
(+) : Red (-) : Black
- Operation Temperature : -10°C~70°C  
35%~85%RH
- Storage Temperature : -40°C~80°C  
35%~85%RH
- UL US CE

Performance Curves

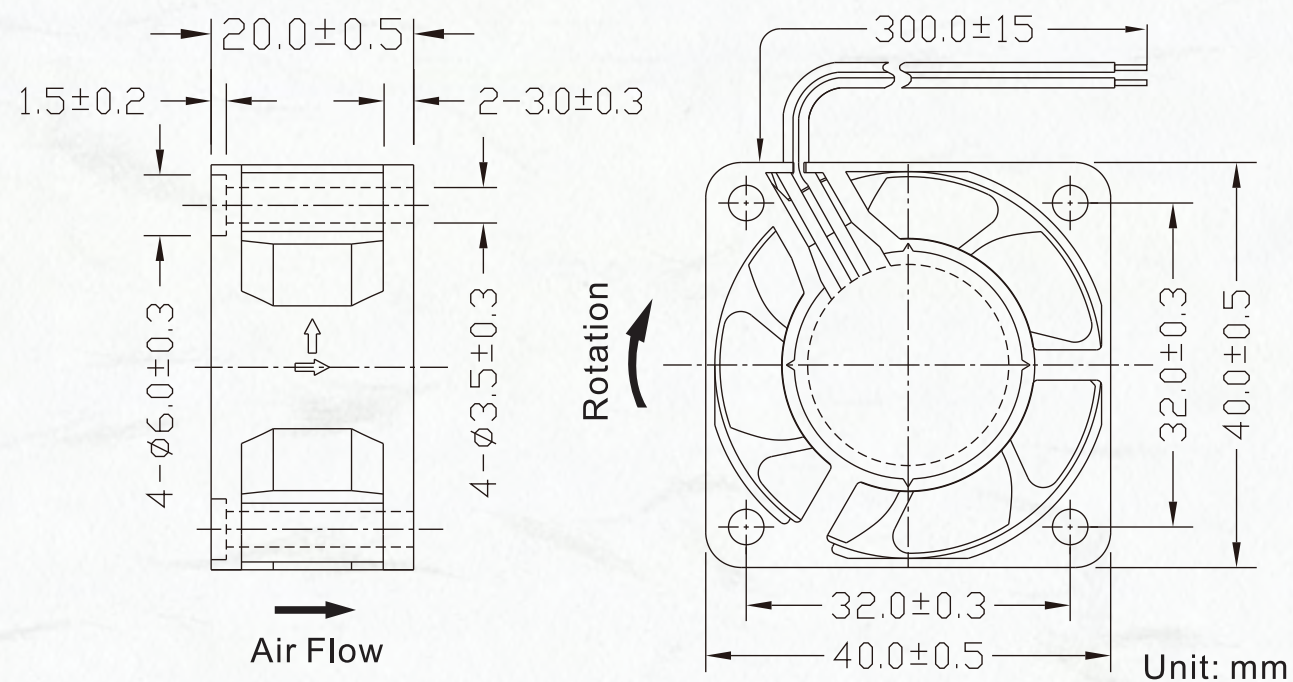


Listed Model	Bearing System	Rated Voltage	Operation Voltage	Rated Current	Rated Speed	Air Flow	Air Pressure	Noise Level	Available Features (Optional)				Weight
		VDC	VDC	A	RPM	CFM	mmH <sub>2</sub> O	dBA	Tachometer Output	Rotation Detector	Thermal Control	Pulse Width Modulation	g
RDH4010S5	Sleeve	5	3.5~5.75	0.20	7,000	7.6	3.7	35	•	•			16
RDM4010S5			3.5~5.75	0.16	6,000	6.4	2.8	31	•	•			
RDL4010S5			3.5~5.75	0.13	5,000	5.2	2.0	27	•	•			
RDH4010B5	Ball		3.5~5.75	0.20	7,000	7.6	3.7	35	•	•			
RDM4010B5			3.5~5.75	0.16	6,000	6.4	2.8	31	•	•			
RDL4010B5			3.5~5.75	0.13	5,000	5.2	2.0	27	•	•			
RDH4010S1	Sleeve	12	6.0~13.8	0.09	7,000	7.6	3.7	35	•	•			
RDM4010S1			6.0~13.8	0.07	6,000	6.4	2.8	31	•	•			
RDL4010S1			7.0~13.8	0.06	5,000	5.2	2.0	27	•	•			
RDH4010B1	Ball		6.0~13.8	0.09	7,000	7.6	3.7	35	•	•			
RDM4010B1			6.0~13.8	0.07	6,000	6.4	2.8	31	•	•			
RDL4010B1			7.0~13.8	0.06	5,000	5.2	2.0	27	•	•			
RDH4010S2	Sleeve	24	12.0~27.6	0.09	7,000	7.6	3.7	35	•	•			
RDM4010S2			12.0~27.6	0.06	6,000	6.4	2.8	31	•	•			
RDL4010S2			16.0~27.6	0.05	5,000	5.2	2.0	27	•	•			
RDH4010B2	Ball		12.0~27.6	0.09	7,000	7.6	3.7	35	•	•			
RDM4010B2			12.0~27.6	0.06	6,000	6.4	2.8	31	•	•			
RDL4010B2			16.0~27.6	0.05	5,000	5.2	2.0	27	•	•			



40 x 40 x 20 mm

Dimensions Drawing



Main Application : Multifunction Printer

主要應用：事務機器

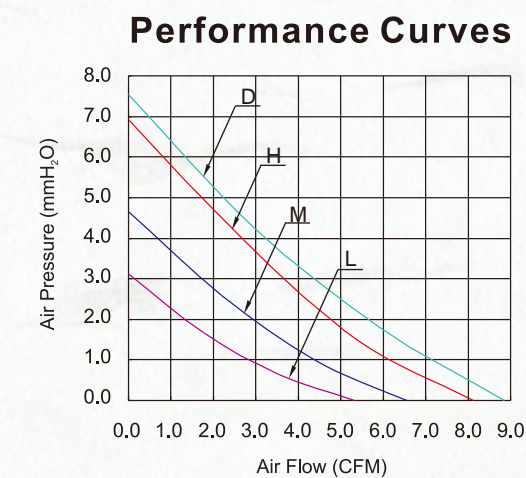


Energy Saving



Low Noise

- General Specification
- Frame and Impeller : Thermal Plastic , UL 94V-0
- Lead Wires : UL Type  
(+) : Red (-) : Black
- Operation Temperature : -10°C~70°C  
35%~85%RH
- Storage Temperature : -40°C~80°C  
35%~85%RH
- 

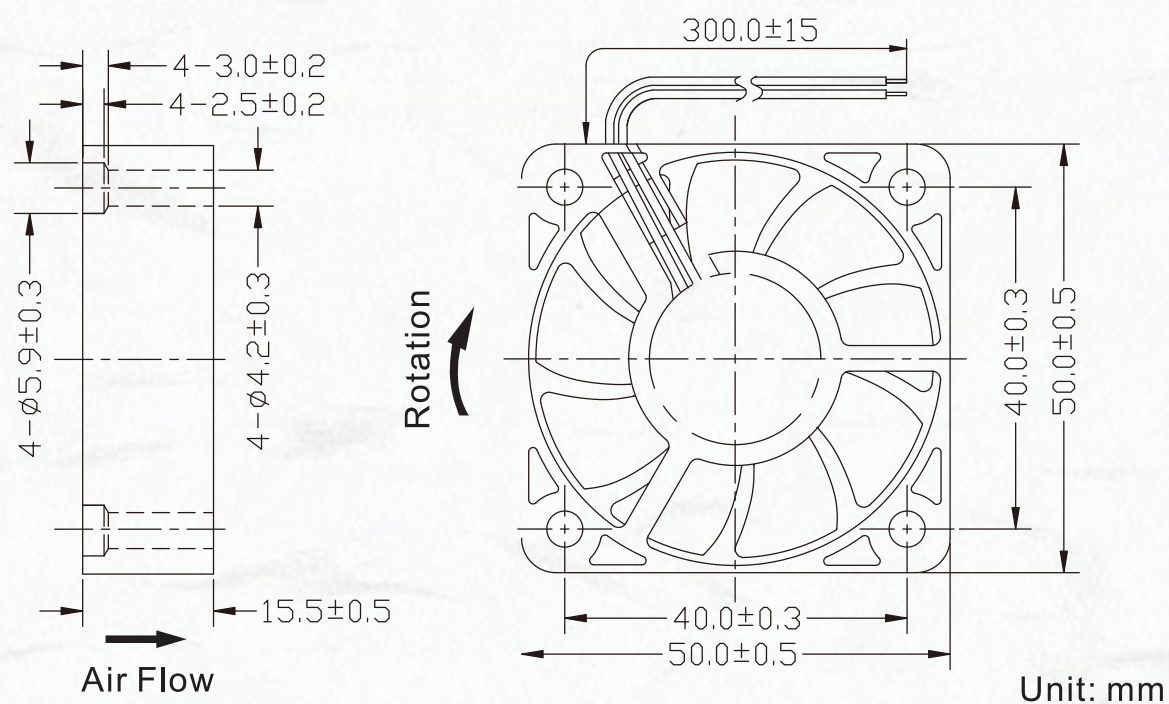


Listed Model	Bearing System	Rated Voltage	Operation Voltage	Rated Current	Rated Speed	Air Flow	Air Pressure	Noise Level	Available Features (Optional)				Weight
		VDC	VDC	A	RPM	CFM	mmH <sub>2</sub> O	dBA	Tachometer Output	Rotation Detector	Thermal Control	Pulse Width Modulation	g
RDD4020S5	Sleeve	5	3.5~5.75	0.40	8,000	8.9	7.5	33	•	•			29
RDH4020S5			3.5~5.75	0.28	7,500	8.1	6.9	31	•	•			
RDM4020S5			3.5~5.75	0.25	6,200	6.6	4.7	27	•	•			
RDL4020S5			3.5~5.75	0.20	5,000	5.3	3.1	23	•	•			
RDD4020B5	Ball		3.5~5.75	0.40	8,000	8.9	7.5	33	•	•			
RDH4020B5			3.5~5.75	0.28	7,500	8.1	6.9	31	•	•			
RDM4020B5			3.5~5.75	0.25	6,200	6.6	4.7	27	•	•			
RDL4020B5			3.5~5.75	0.20	5,000	5.3	3.1	23	•	•			
RDH4020S	Sleeve	12	6.0~13.8	0.12	8,000	8.9	7.5	33	•	•			
RDH4020S			6.0~13.8	0.12	7,500	8.1	6.9	31	•	•			
RDM4020S			6.0~13.8	0.10	6,200	6.6	4.7	27	•	•			
RDL4020S			6.0~13.8	0.06	5,000	5.3	3.1	23	•	•			
RDH4020B	Ball		6.0~13.8	0.12	8,000	8.9	7.5	33	•	•			
RDH4020B			6.0~13.8	0.12	7,500	8.1	6.9	31	•	•			
RDM4020B			6.0~13.8	0.10	6,200	6.6	4.7	27	•	•			
RDL4020B			6.0~13.8	0.06	5,000	5.3	3.1	23	•	•			
RDD4020S2	Sleeve	24	12.0~27.6	0.09	8,000	8.9	7.5	33	•	•			
RDH4020S2			12.0~27.6	0.07	7,500	8.1	6.9	31	•	•			
RDM4020S2			12.0~27.6	0.06	6,200	6.6	4.7	27	•	•			
RDL4020S2			12.0~27.6	0.05	5,000	5.3	3.1	23	•	•			
RDD4020B2	Ball		12.0~27.6	0.09	8,000	8.9	7.5	33	•	•			
RDH4020B2			12.0~27.6	0.07	7,500	8.1	6.9	31	•	•			
RDM4020B2			12.0~27.6	0.06	6,200	6.6	4.7	27	•	•			
RDL4020B2			12.0~27.6	0.05	5,000	5.3	3.1	23	•	•			



50 x 50 x 15 mm

Dimensions Drawing



Main Application : Multifunction Printer

主要應用：事務機器



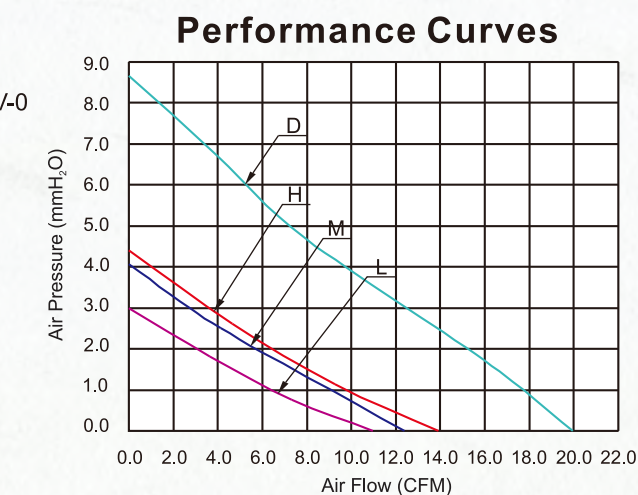
Energy Saving



Low Noise

General Specification

- Frame and Impeller : Thermal Plastic , UL 94V-0
- Lead Wires : UL Type  
(+) : Red (-) : Black
- Operation Temperature : -10°C~70°C  
35%~85%RH
- Storage Temperature : -40°C~80°C  
35%~85%RH
- UL US CE



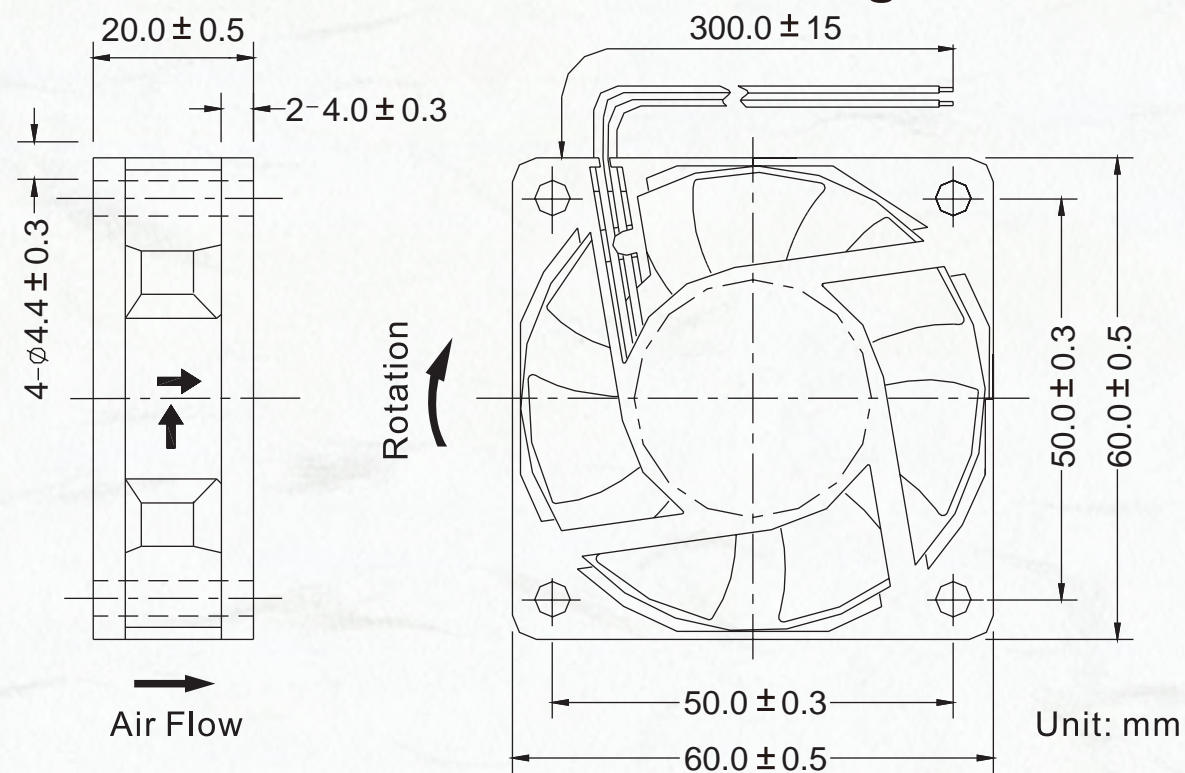
Listed Model	Bearing System	Rated Voltage	Operation Voltage	Rated Current	Rated Speed	Air Flow	Air Pressure	Noise Level	Available Features (Optional)				Weight
		VDC	VDC	A	RPM	CFM	mmH <sub>2</sub> O	dBA	Tachometer Output	Rotation Detector	Thermal Control	Pulse Width Modulation	g
RDH5015S5	Sleeve	5	3.5~5.75	0.33	5,500	13.9	4.4	32	•	•			30
RDM5015S5			3.5~5.75	0.25	5,000	12.4	4.1	30	•	•			
RDL5015S5			3.5~5.75	0.20	4,500	11.0	3.0	27	•	•			
RDH5015B5	Ball		3.5~5.75	0.33	5,500	13.9	4.4	32	•	•			
RDM5015B5			3.5~5.75	0.25	5,000	12.4	4.1	30	•	•			
RDL5015B5			3.5~5.75	0.20	4,500	11.0	3.0	27	•	•			
RDH5015S	Sleeve	12	6.0~13.8	0.16	5,500	13.9	4.4	32	•	•			
RDM5015S			6.0~13.8	0.14	5,000	12.4	4.1	30	•	•			
RDL5015S			6.0~13.8	0.12	4,500	11.0	3.0	27	•	•			
RDH5015B	Ball		6.0~13.8	0.16	5,500	13.9	4.4	32	•	•			
RDM5015B			6.0~13.8	0.14	5,000	12.4	4.1	30	•	•			
RDL5015B			6.0~13.8	0.12	4,500	11.0	3.0	27	•	•			
RDD5015S2	Sleeve	24	12.0~27.6	0.18	8,000	20.0	8.7	42	•	•			
RDH5015S2			12.0~27.6	0.10	5,500	13.9	4.4	32	•	•			
RDM5015S2			12.0~27.6	0.08	5,000	12.4	4.1	30	•	•			
RDL5015S2	12.0~27.6		0.06	4,500	11.0	3.0	27	•	•				
RDD5015B2	Ball		12.0~27.6	0.18	8,000	20.0	8.7	42	•	•			
RDH5015B2			12.0~27.6	0.10	5,500	13.9	4.4	32	•	•			
RDM5015B2		12.0~27.6	0.08	5,000	12.4	4.1	30	•	•				
RDL5015B2	12.0~27.6	0.06	4,500	11.0	3.0	27	•	•					





60 x 60 x 20 mm

**Dimensions Drawing**

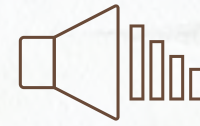


**Main Application : Multifunction Printer**

**主要應用：事務機器**



Energy Saving



Low Noise

**General Specification**

Frame and Impeller : Thermal Plastic , UL 94V-0

Lead Wires : UL Type

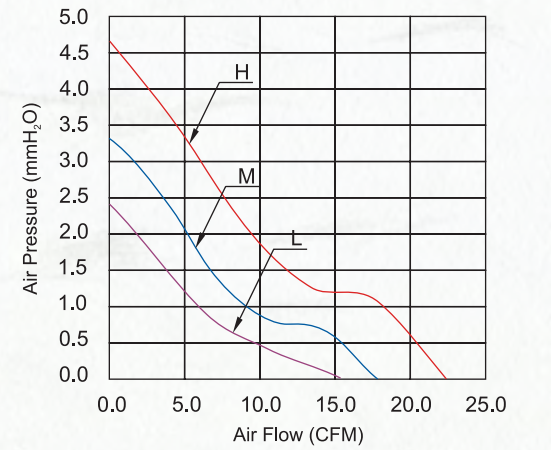
(+) : Red (-) : Black

Operation Temperature : -10°C~70°C  
35%~85%RH

Storage Temperature : -40°C~80°C  
35%~85%RH



**Performance Curves**

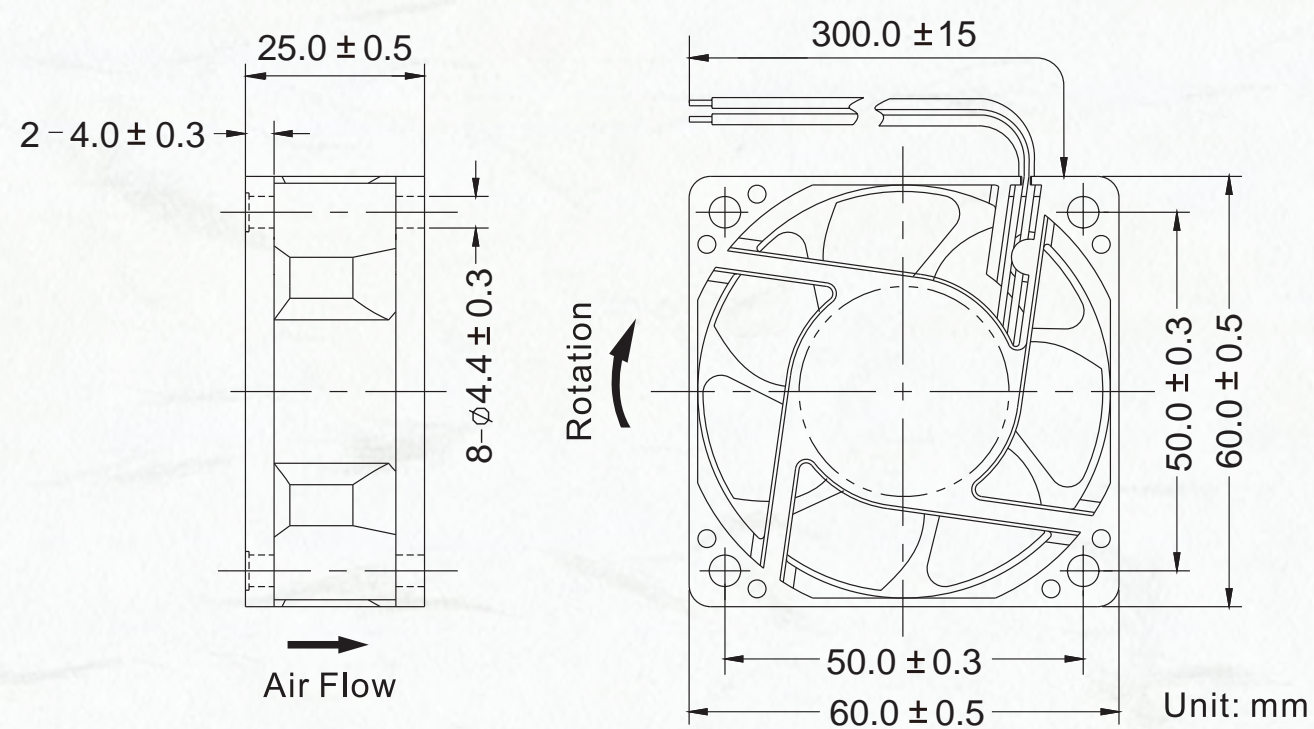


Listed Model	Bearing System	Rated Voltage	Operation Voltage	Rated Current	Rated Speed	Air Flow	Air Pressure	Noise Level	Available Features (Optional)				Weight	
		VDC	VDC	A	RPM	CFM	mmH <sub>2</sub> O	dBA	Tachometer Output	Rotation Detector	Thermal Control	Pulse Width Modulation	g	
RDH6020S	Sleeve	12	6.0~13.8	0.16	4,200	22.3	4.7	35	•	•	•	•	50	
RDM6020S			6.0~13.8	0.12	3,500	18.5	3.3	29	•	•	•	•		
RDL6020S			6.0~13.8	0.08	3,000	15.7	2.4	26	•	•	•	•		
RDH6020B	Ball		6.0~13.8	0.16	4,200	22.3	4.7	35	•	•	•	•		
RDM6020B			6.0~13.8	0.12	3,500	18.5	3.3	29	•	•	•	•		
RDL6020B			6.0~13.8	0.08	3,000	15.7	2.4	26	•	•	•	•		
RDH6020S2	Sleeve		24	12.0~27.6	0.13	4,200	22.3	4.7	35	•	•			
RDM6020S2				12.0~27.6	0.10	3,500	18.5	3.3	29	•	•			
RDL6020S2				12.0~27.6	0.08	3,000	15.7	2.4	26	•	•			
RDH6020B2	Ball			12.0~27.6	0.13	4,200	22.3	4.7	35	•	•			
RDM6020B2				12.0~27.6	0.10	3,500	18.5	3.3	29	•	•			
RDL6020B2				12.0~27.6	0.08	3,000	15.7	2.4	26	•	•			



60 x 60 x 25 mm

Dimensions Drawing



Main Application : Multifunction Printer/Projector

主要應用：事務機器/投影機



Energy Saving



Low Noise

General Specification

Frame and Impeller : Thermal Plastic , UL 94V-0

Lead Wires : UL Type

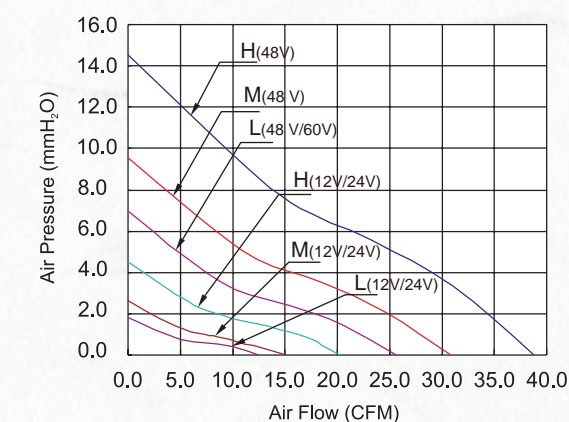
(+) : Red (-) : Black

Operation Temperature : -10°C~70°C  
35%~85%RH

Storage Temperature : -40°C~80°C  
35%~85%RH

UL US CE (12V 24V 48V)  
UL US CE (60V)

Performance Curves

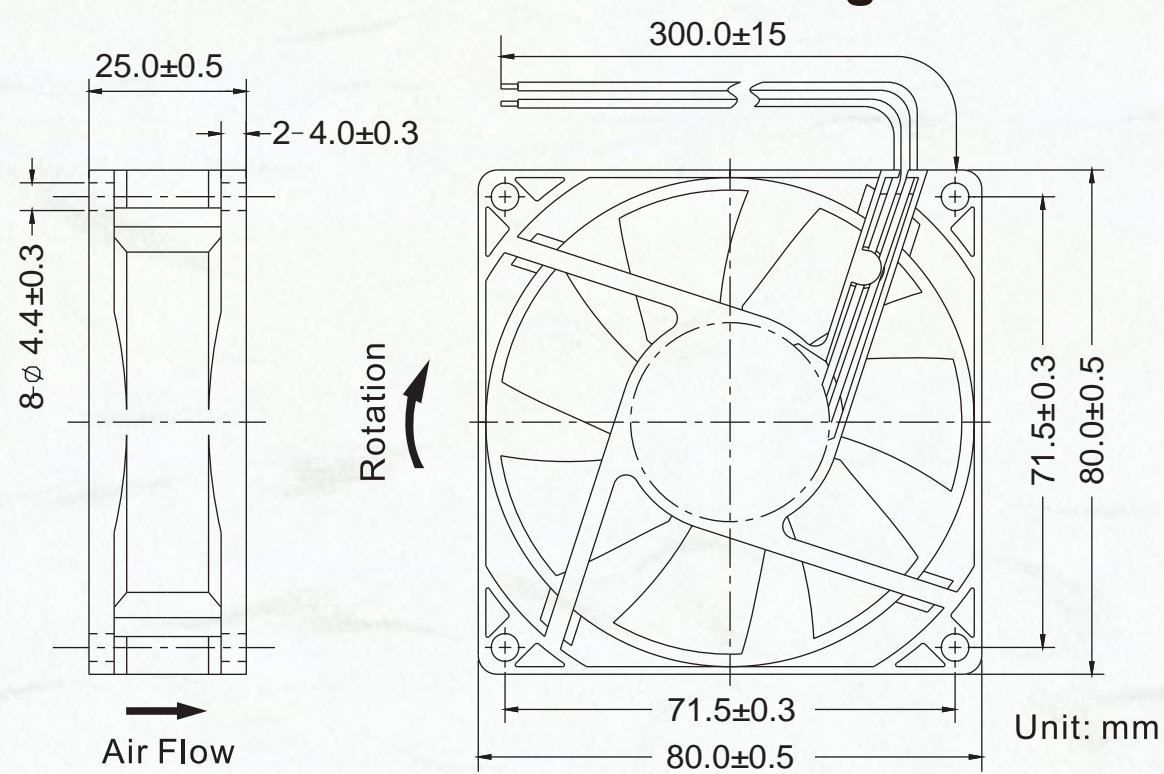


Listed Model	Bearing System	Rated Voltage	Operation Voltage	Rated Current	Rated Speed	Air Flow	Air Pressure	Noise Level	Available Features (Optional)				Weight	
		VDC	VDC	A	RPM	CFM	mmH <sub>2</sub> O	dBA	Tachometer Output	Rotation Detector	Thermal Control	Pulse Width Modulation	g	
RDH6025S	Sleeve	12	6.0~13.8	0.14	4,000	20.3	4.5	29	•	•	•	•	62	
RDM6025S			6.0~13.8	0.10	3,000	15.1	2.6	24	•	•	•	•		
RDL6025S			6.0~13.8	0.07	2,500	12.5	1.8	22	•	•	•	•		
RDH6025B			Ball	6.0~13.8	0.14	4,000	20.3	4.5	29	•	•	•		•
RDM6025B				6.0~13.8	0.10	3,000	15.1	2.6	24	•	•	•		•
RDL6025B				6.0~13.8	0.07	2,500	12.5	1.8	22	•	•	•		•
RDH6025S2	Sleeve	24	12.0~27.6	0.14	4,000	20.3	4.5	29	•	•	•	•		
RDM6025S2			12.0~27.6	0.10	3,000	15.1	2.6	24	•	•	•	•		
RDL6025S2			12.0~27.6	0.09	2,500	12.5	1.8	22	•	•	•	•		
RDH6025B2			Ball	12.0~27.6	0.14	4,000	20.3	4.5	29	•	•	•		•
RDM6025B2				12.0~27.6	0.10	3,000	15.1	2.6	24	•	•	•		•
RDL6025B2				12.0~27.6	0.09	2,500	12.5	1.8	22	•	•	•		•
RDH6025S4	Sleeve	48	24.0~55.2	0.18	7,500	38.8	14.5	47	•	•	•	•		
RDM6025S4			24.0~55.2	0.12	6,000	30.9	9.6	40	•	•	•	•		
RDL6025S4			24.0~55.2	0.10	5,000	25.6	7.0	37	•	•	•	•		
RDH6025B4			Ball	24.0~55.2	0.18	7,500	38.8	14.5	47	•	•	•	•	
RDM6025B4				24.0~55.2	0.12	6,000	30.9	9.6	40	•	•	•	•	
RDL6025B4				24.0~55.2	0.10	5,000	25.6	7.0	37	•	•	•	•	
RDL6025B6	Ball	60	36.0~72.0	0.20	5,000	25.6	7.0	37	•	•	•	•		



80 x 80 x 25 mm

Dimensions Drawing



Main Application : Multifunction Printer/Projector

主要應用：事務機器/投影機



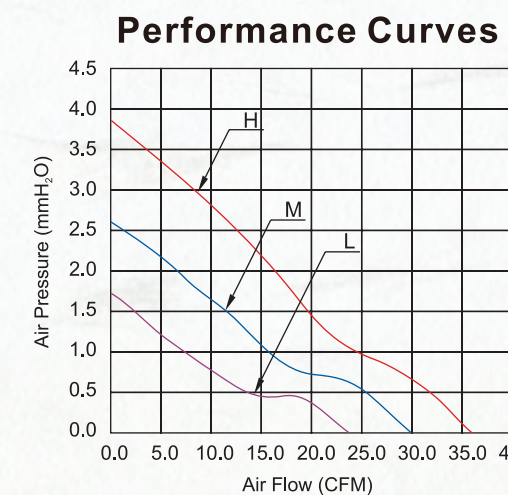
Energy Saving



Low Noise

General Specification

- Frame and Impeller : Thermal Plastic , UL 94V-0
- Lead Wires : UL Type  
(+) : Red (-) : Black
- Operation Temperature : -10°C~70°C  
35%~85%RH
- Storage Temperature : -40°C~80°C  
35%~85%RH
- UL US CE

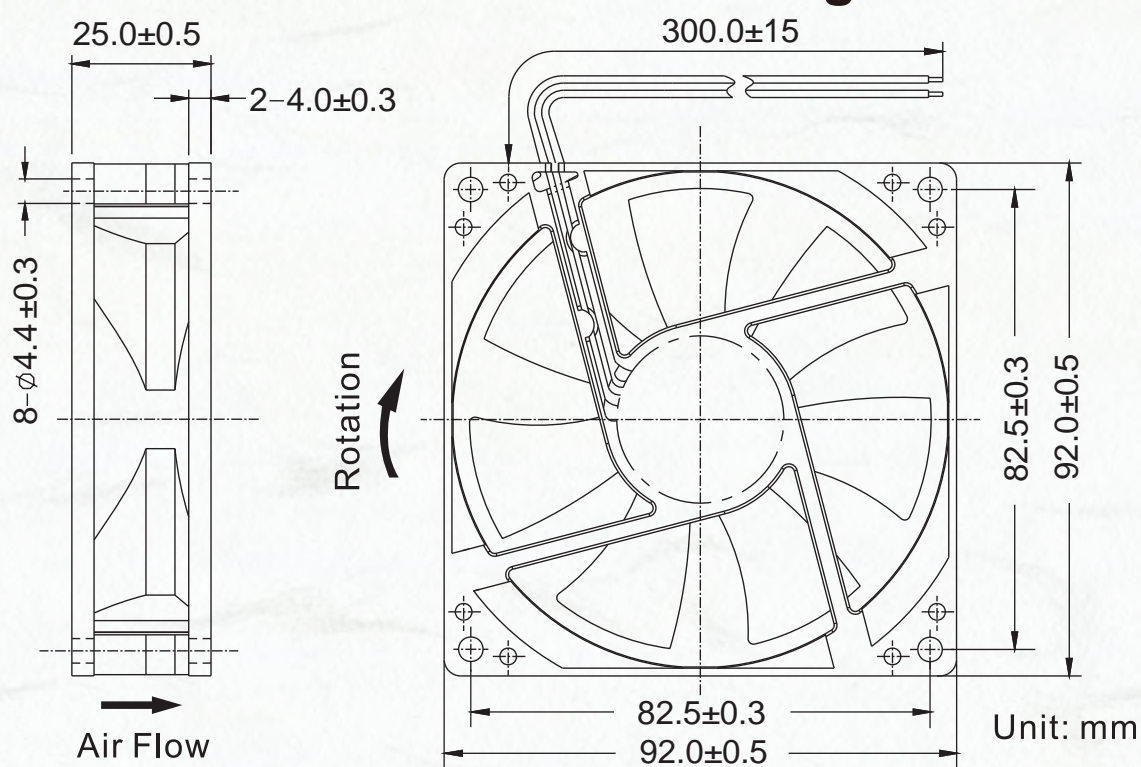


Listed Model	Bearing System	Rated Voltage	Operation Voltage	Rated Current	Rated Speed	Air Flow	Air Pressure	Noise Level	Available Features (Optional)				Weight
		VDC	VDC	A	RPM	CFM	mmH <sub>2</sub> O	dBA	Tachometer Output	Rotation Detector	Thermal Control	Pulse Width Modulation	g
RDH8025S5	Sleeve	5	3.5~5.75	0.40	3,000	35.7	3.8	33	•	•			76
RDM8025S5			3.5~5.75	0.28	2,500	29.5	2.6	29	•	•			
RDL8025S5			3.5~5.75	0.22	2,000	23.5	1.7	24	•	•			
RDH8025B5	Ball		3.5~5.75	0.40	3,000	35.7	3.8	33	•	•			
RDM8025B5			3.5~5.75	0.28	2,500	29.5	2.6	29	•	•			
RDL8025B5			3.5~5.75	0.22	2,000	23.5	1.7	24	•	•			
RDH8025S	Sleeve	12	6.0~13.8	0.17	3,000	35.7	3.8	33	•	•	•	•	
RDM8025S			6.0~13.8	0.11	2,500	29.5	2.6	29	•	•	•	•	
RDL8025S			6.0~13.8	0.08	2,000	23.5	1.7	24	•	•	•	•	
RDH8025B	Ball		6.0~13.8	0.17	3,000	35.7	3.8	33	•	•	•	•	
RDM8025B			6.0~13.8	0.11	2,500	29.5	2.6	29	•	•	•	•	
RDL8025B			6.0~13.8	0.08	2,000	23.5	1.7	24	•	•	•	•	
RDH8025S2	Sleeve	24	12.0~27.6	0.15	3,000	35.7	3.8	33	•	•			
RDM8025S2			12.0~27.6	0.12	2,500	29.5	2.6	29	•	•			
RDL8025S2			12.0~27.6	0.09	2,000	23.5	1.7	24	•	•			
RDH8025B2	Ball		12.0~27.6	0.15	3,000	35.7	3.8	33	•	•			
RDM8025B2			12.0~27.6	0.12	2,500	29.5	2.6	29	•	•			
RDL8025B2			12.0~27.6	0.09	2,000	23.5	1.7	24	•	•			



92 x 92 x 25 mm

Dimensions Drawing



Main Application : Multifunction Printer

主要應用：事務機器

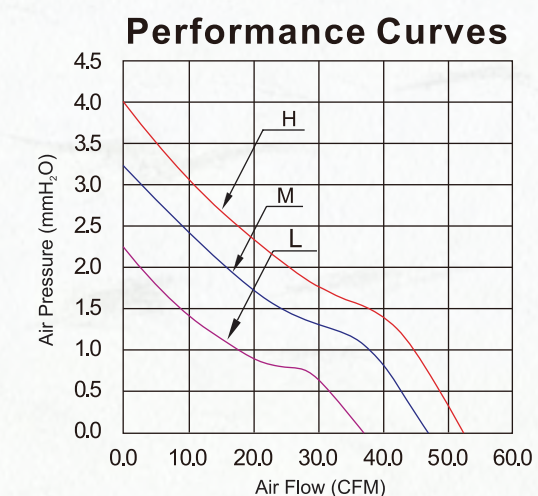


Energy Saving



Low Noise

- General Specification
- Frame and Impeller : Thermal Plastic , UL 94V-0
- Lead Wires : UL Type  
(+) : Red (-) : Black
- Operation Temperature : -10°C~70°C  
35%~85%RH
- Storage Temperature : -40°C~80°C  
35%~85%RH
- 



Listed Model	Bearing System	Rated Voltage	Operation Voltage	Rated Current	Rated Speed	Air Flow	Air Pressure	Noise Level	Available Features (Optional)				Weight		
		VDC	VDC	A	RPM	CFM	mmH <sub>2</sub> O	dBA	Tachometer Output	Rotation Detector	Thermal Control	Pulse Width Modulation	g		
RDH9025S	Sleeve	12	6.0~13.8	0.23	2,800	52.3	4.0	37	•	•	•	•	85		
RDM9025S			6.0~13.8	0.19	2,500	47.0	3.2	34	•	•	•	•			
RDL9025S			6.0~13.8	0.16	2,000	37.1	2.3	29	•	•	•	•			
RDH9025B			6.0~13.8	0.23	2,800	52.3	4.0	37	•	•	•	•			
RDM9025B	Ball		6.0~13.8	0.19	2,500	47.0	3.2	34	•	•	•	•			
RDL9025B			6.0~13.8	0.16	2,000	37.1	2.3	29	•	•	•	•			
RDH9025S2			Sleeve	24	12.0~27.6	0.22	2,800	52.3	4.0	37	•	•		•	•
RDM9025S2					12.0~27.6	0.18	2,500	47.0	3.2	34	•	•		•	•
RDL9025S2	12.0~27.6	0.15			2,000	37.1	2.3	29	•	•	•	•			
RDH9025B2	12.0~27.6	0.22			2,800	52.3	4.0	37	•	•	•	•			
RDM9025B2	Ball	12.0~27.6	0.18		2,500	47.0	3.2	34	•	•	•	•			
RDL9025B2		12.0~27.6	0.15		2,000	37.1	2.3	29	•	•	•	•			



Main Application : Multifunction Printer

主要應用：事務機器



Energy Saving



Low Noise

General Specification

Frame and Impeller : Thermal Plastic , UL 94V-0

Lead Wires : UL Type

(+) : Red (-) : Black

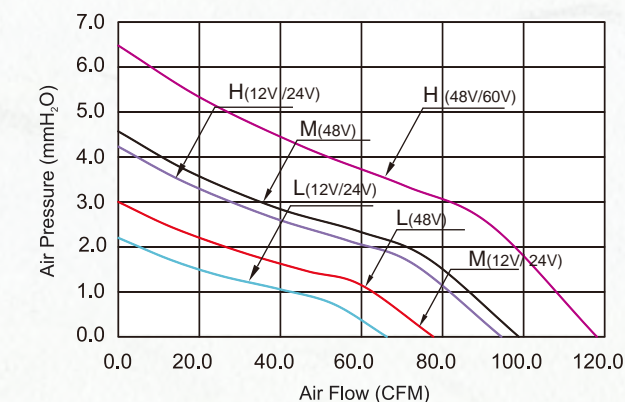
Operation Temperature : -10°C~70°C  
35%~85%RH

Storage Temperature : -40°C~80°C  
35%~85%RH

UL US CE (12V 24V 48V)

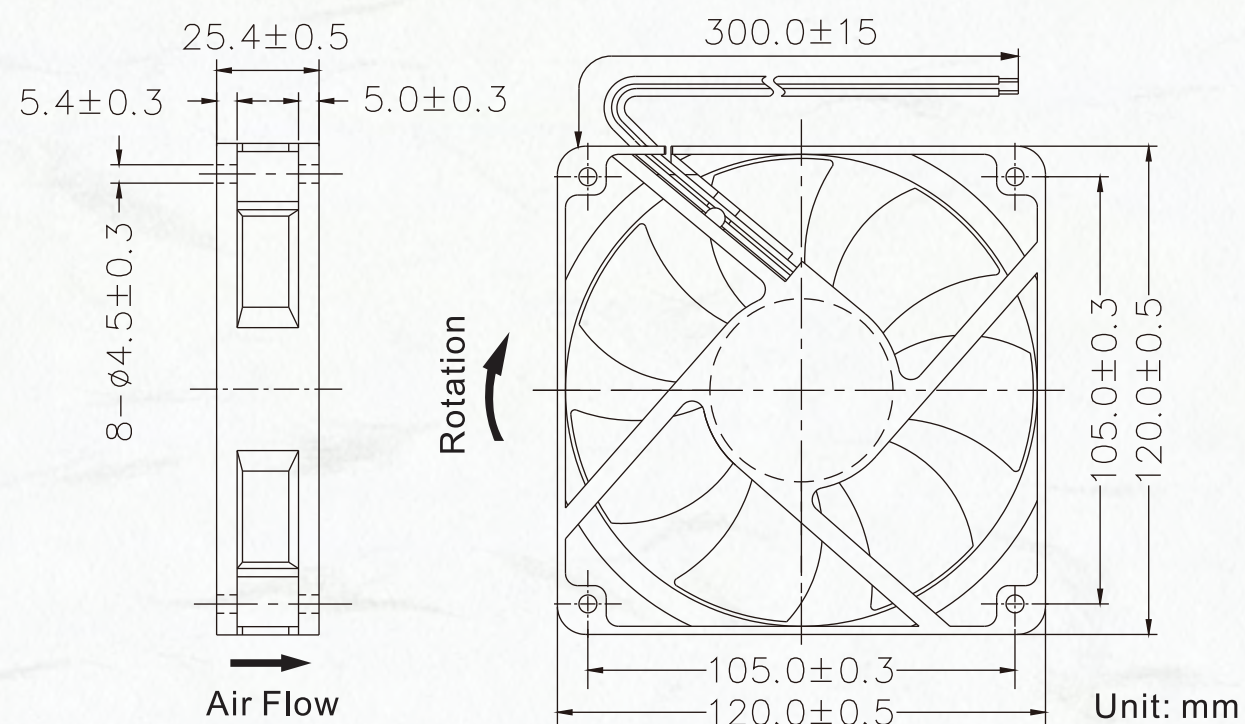
UL US CE (60V)

Performance Curves



120 x 120 x 25 mm

Dimensions Drawing

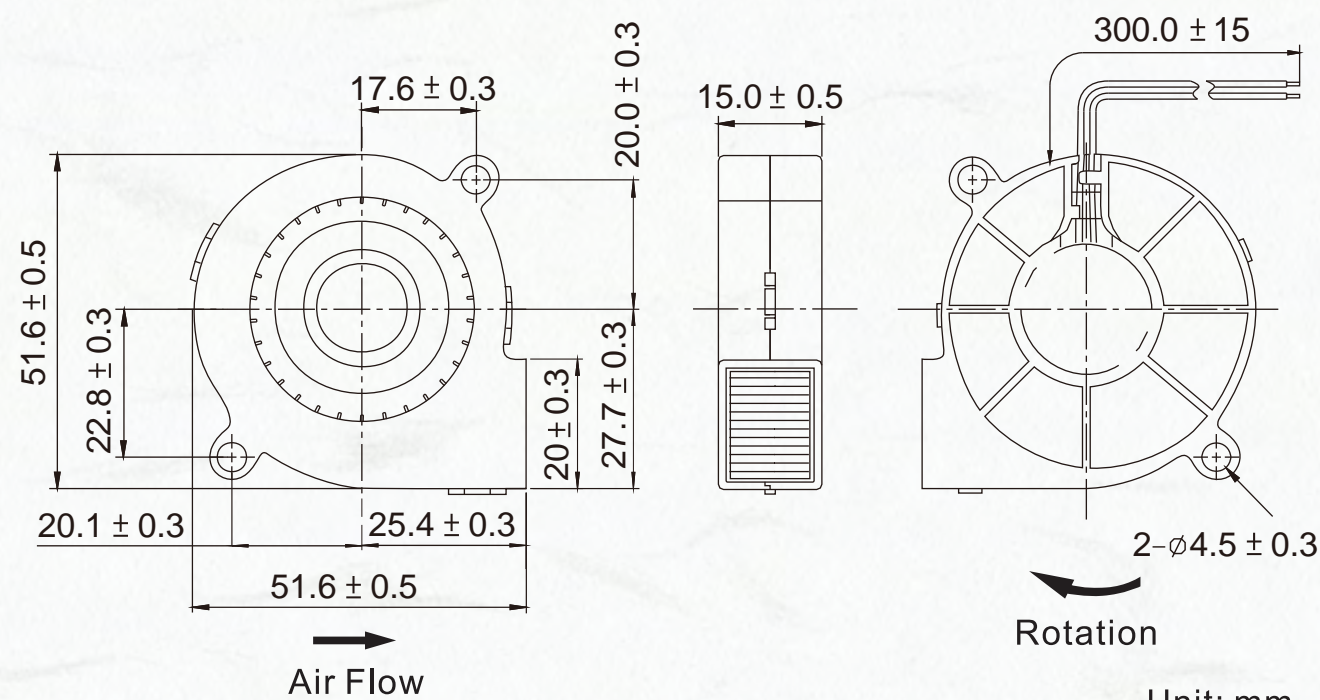


Listed Model	Bearing System	Rated Voltage	Operation Voltage	Rated Current	Rated Speed	Air Flow	Air Pressure	Noise Level	Available Features (Optional)				Weight		
		VDC	VDC	A	RPM	CFM	mmH <sub>2</sub> O	dBA	Tachometer Output	Rotation Detector	Thermal Control	Pulse Width Modulation	g		
RDH1225S	Sleeve	12	6.0~13.8	0.40	2,400	94.5	4.2	41	•	•	•	•	164		
RDM1225S			6.0~13.8	0.23	2,000	77.7	3.0	36	•	•	•	•			
RDL1225S			6.0~13.8	0.18	1,700	66.2	2.2	31	•	•	•	•			
RDH1225B	Ball		6.0~13.8	0.40	2,400	94.5	4.2	41	•	•	•	•			
RDM1225B			6.0~13.8	0.23	2,000	77.7	3.0	36	•	•	•	•			
RDL1225B			6.0~13.8	0.18	1,700	66.2	2.2	31	•	•	•	•			
RDH1225S2	Sleeve	24	12.0~27.6	0.35	2,400	94.5	4.2	41	•	•			164		
RDM1225S2			12.0~27.6	0.20	2,000	77.7	3.0	36	•	•					
RDL1225S2			12.0~27.6	0.13	1,700	66.2	2.2	31	•	•					
RDH1225B2	Ball		12.0~27.6	0.35	2,400	94.5	4.2	41	•	•					
RDM1225B2			12.0~27.6	0.20	2,000	77.7	3.0	36	•	•					
RDL1225B2			12.0~27.6	0.13	1,700	66.2	2.2	31	•	•					
RDH1225B4	Ball	48	24.0~55.2	0.30	3,000	118.0	6.5	48	•	•	•	•	164		
RDM1225B4			24.0~55.2	0.24	2,500	98.8	4.6	43	•	•	•	•			
RDL1225B4			24.0~55.2	0.15	2,000	77.7	3.0	36	•	•	•	•			
RDH1225B6	Ball		60	36.0~72.0	0.30	3,000	118.0	6.5	48	•	•	•		•	



51 x 51 x 15 mm

Dimensions Drawing



Main Application : Multifunction Printer/Projector

主要應用：事務機器/投影機



Energy Saving

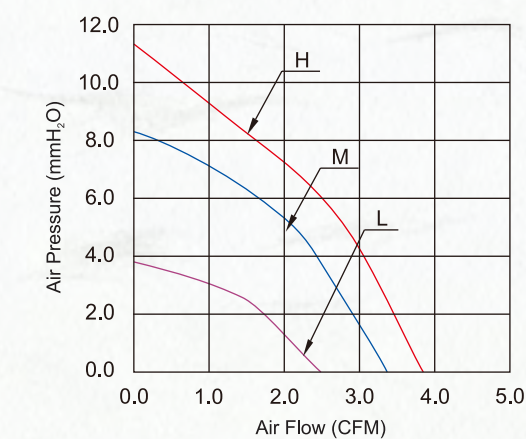


Low Noise

General Specification

- Frame and Impeller : Thermal Plastic , UL 94V-0
- Lead Wires : UL Type  
(+) : Red (-) : Black
- Operation Temperature : -10°C~70°C  
35%~85%RH
- Storage Temperature : -40°C~80°C  
35%~85%RH
- UL US CE

Performance Curves

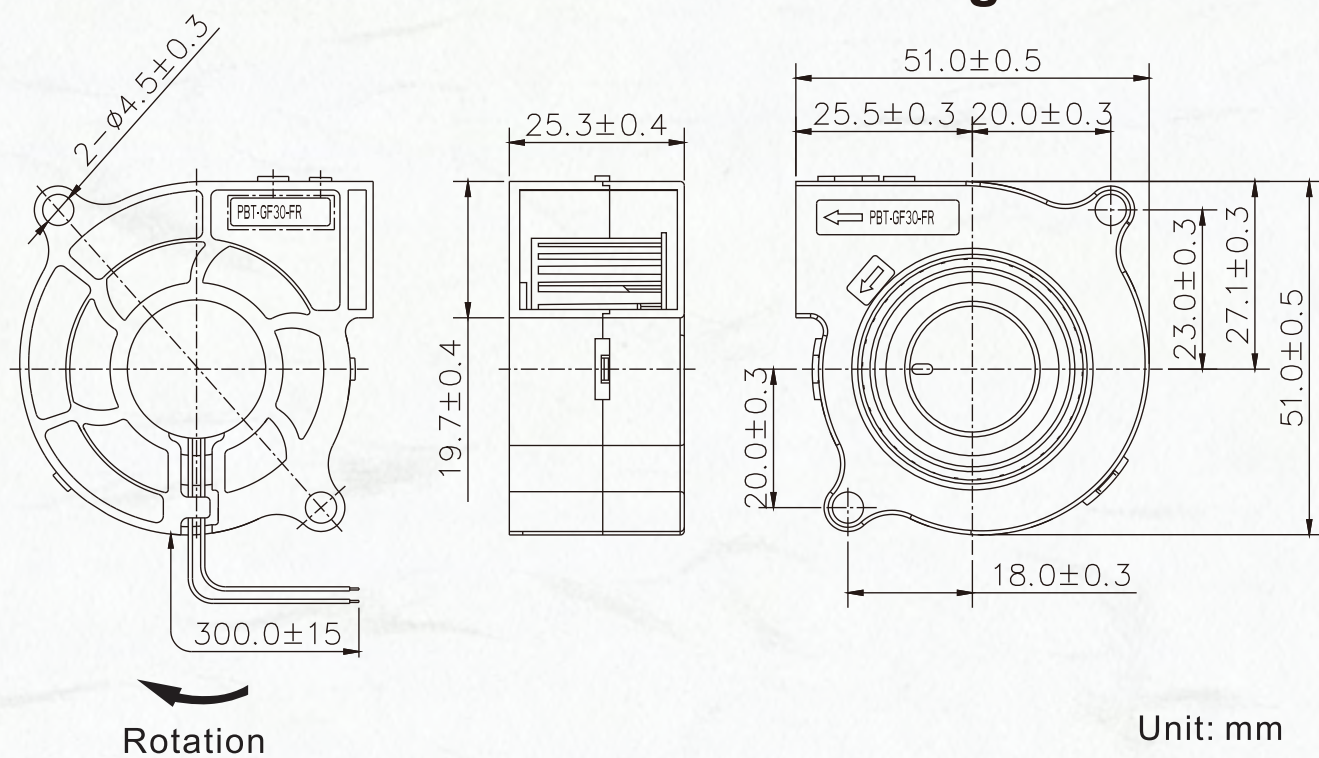


Listed Model	Bearing System	Rated Voltage	Operation Voltage	Rated Current	Rated Speed	Air Flow	Air Pressure	Noise Level	Available Features (Optional)				Weight
		VDC	VDC	A	RPM	CFM	mmH <sub>2</sub> O	dBA	Tachometer Output	Rotation Detector	Thermal Control	Pulse Width Modulation	g
RBH5015S5	Sleeve	5	3.5~5.75	0.33	4,500	3.8	11.3	37	•	•			26
RBM5015S5			3.5~5.75	0.22	4,000	3.4	7.4	35	•	•			
RBL5015S5			3.5~5.75	0.13	3,000	2.4	3.5	26	•	•			
RBH5015B5	Ball		3.5~5.75	0.33	4,500	3.8	11.3	37	•	•			
RBM5015B5			3.5~5.75	0.22	4,000	3.4	7.4	35	•	•			
RBL5015B5			3.5~5.75	0.13	3,000	2.4	3.5	26	•	•			
RBH5015S	Sleeve	12	6.0~13.8	0.14	5,000	4.4	11.5	41	•	•			
RBM5015S			6.0~13.8	0.09	4,000	3.4	7.4	35	•	•			
RBL5015S			8.0~13.8	0.05	3,000	2.4	3.5	26	•	•			
RBH5015B	Ball		6.0~13.8	0.14	5,000	4.4	11.5	41	•	•			
RBM5015B			6.0~13.8	0.09	4,000	3.4	7.4	35	•	•			
RBL5015B			8.0~13.8	0.05	3,000	2.4	3.5	26	•	•			
RBH5015S2	Sleeve	24	12.0~27.6	0.12	5,000	4.4	11.5	41	•	•			
RBM5015S2			12.0~27.6	0.08	4,000	3.4	7.4	35	•	•			
RBL5015S2			12.0~27.6	0.05	3,500	2.9	7.3	30	•	•			
RBH5015B2	Ball		12.0~27.6	0.12	5,000	4.4	11.5	41	•	•			
RBM5015B2			12.0~27.6	0.08	4,000	3.4	7.4	35	•	•			
RBL5015B2			12.0~27.6	0.05	3,500	2.9	7.3	30	•	•			



51 x 51 x 25 mm

Dimensions Drawing



Unit: mm

Main Application : Multifunction Printer

主要應用：事務機器



Energy Saving

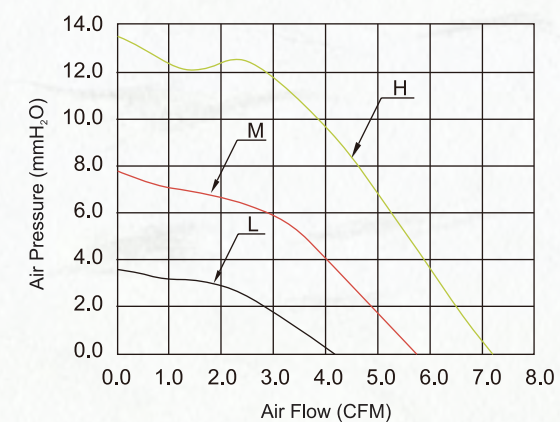


Low Noise

General Specification

- Frame and Impeller : Thermal Plastic , UL 94V-0
- Lead Wires : UL Type  
(+) : Red (-) : Black
- Operation Temperature : -10°C~70°C  
35%~85%RH
- Storage Temperature : -40°C~80°C  
35%~85%RH
- UL US CE

Performance Curves



Listed Model	Bearing System	Rated Voltage	Operation Voltage	Rated Current	Rated Speed	Air Flow	Air Pressure	Noise Level	Available Features (Optional)				Weight
		VDC	VDC	A	RPM	CFM	mmH <sub>2</sub> O	dBA	Tachometer Output	Rotation Detector	Thermal Control	Pulse Width Modulation	g
RBH5125S1	Sleeve	12	6.0~13.8	0.29	5,000	7.2	13.5	41.5	•	•			38
RBM5125S1			6.0~13.8	0.18	4,000	5.7	7.7	35.6	•	•			
RBL5125S1			6.0~13.8	0.10	3,000	4.1	3.5	27.2	•	•			
RBH5125B1	Ball		6.0~13.8	0.29	5,000	7.2	13.5	41.5	•	•			
RBM5125B1			6.0~13.8	0.18	4,000	5.7	7.7	35.6	•	•			
RBL5125B1			6.0~13.8	0.10	3,000	4.1	3.5	27.2	•	•			
RBH5125S2	Sleeve	24	12.0~27.6	0.16	5,000	7.2	13.5	41.5	•	•			
RBM5125S2			12.0~27.6	0.10	4,000	5.7	7.7	35.6	•	•			
RBL5125S2			12.0~27.6	0.06	3,000	4.1	3.5	27.2	•	•			
RBH5125B2	Ball		12.0~27.6	0.16	5,000	7.2	13.5	41.5	•	•			
RBM5125B2			12.0~27.6	0.10	4,000	5.7	7.7	35.6	•	•			
RBL5125B2			12.0~27.6	0.06	3,000	4.1	3.5	27.2	•	•			

# Company Location

## 服務據點



Head Office



Sales Office



Factory

