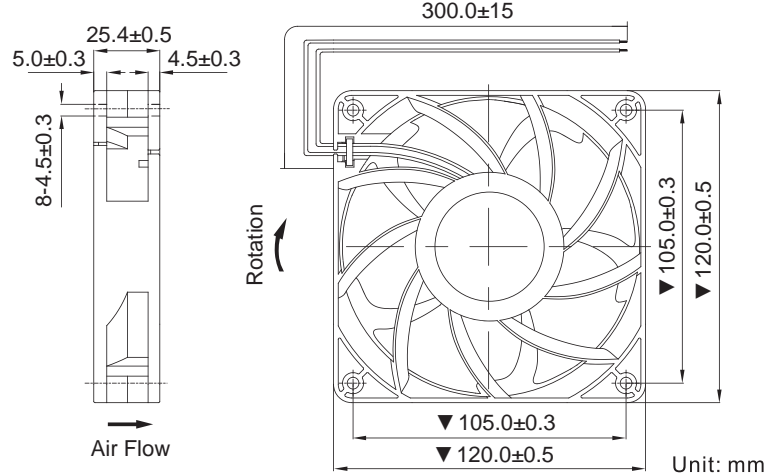




Dimensions Drawing

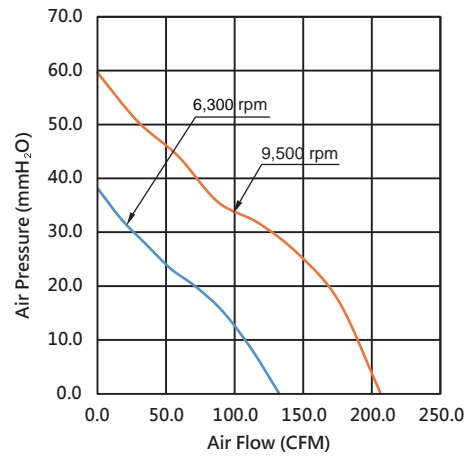


General Specification

- Frame and Impeller : Thermal Plastic, UL94V-0
- Lead Wires : UL Type
(+) : Red (-) : Black
- Operation Temperature : -10°C~70°C
35%~85%RH
- Storage Temperature : -40°C~80°C
35%~85%RH



Performance Curves



Listed Model	Bearing System	Rated Voltage	Operation Voltage	Rated Current	Rated Speed	Air Flow	Air Pressure	Noise Level	Available Features (Optional)				Weight
		VDC	VDC	A	RPM	CFM	mmH ₂ O	dBA	Tachometer Output	Rotation Detector	Thermal Control	Pulse Width Modulation	g
RDV1225B1	Ball	12	6.0~13.8	0.9	6,300	132.6	38.2	59	•	•		•	256
RDV1225B2		24	12.0~27.6	1.45	9,500	206	59.7	67.5	•	•		•	