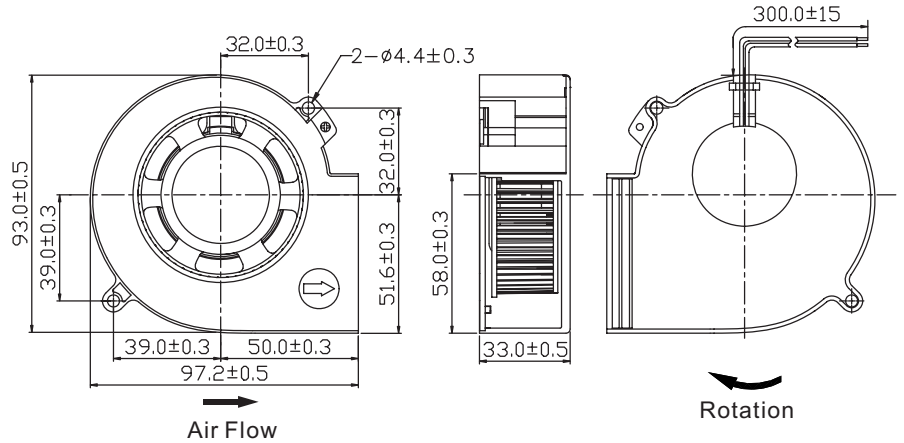


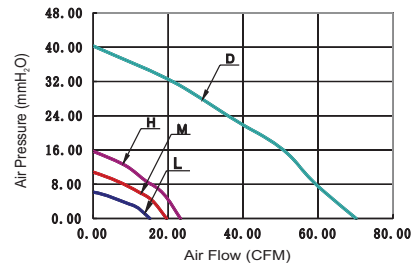
97x94x33mm

■ Dimensions Drawing



■ Performance Curves

Unit: mm



General Specification:

- Frame and Impeller : Thermal Plastic , UL 94V-0
- Lead Wires : UL Type
(+) : Red (-) : Black
- Operation Temperature : -10℃~70℃、
35%~85%RH
- Storage Temperature : -40℃~80℃、
35%~85%RH



Listed Model	Bearing System	Rated Voltage	Operation Voltage	Rated Current	Rated Speed	Air Flow	Air Pressure	Noise Level	Available Features (Optional)				Weight
		VDC	VDC	A	RPM	CFM	mmH ₂ O	dBA	Tachometer Output	Rotation Detector	Thermal Control	Pulse Width Modulation	g
RBD9733S	Sleeve	12	6.0~13.8	3.00	5,800	70.2	40.3	65	•	•	•	•	200
RBH9733S			6.0~13.8	0.80	3,300	23.3	15.7	51	•	•	•	•	
RBM9733S			6.0~13.8	0.50	2,800	19.6	10.8	48	•	•	•	•	
RBL9733S			6.0~13.8	0.30	2,200	15.1	6.2	41	•	•	•	•	
RBD9733B	Ball		6.0~13.8	3.00	5,800	70.2	40.3	65	•	•	•	•	
RBH9733B			6.0~13.8	0.80	3,300	23.3	15.7	51	•	•	•	•	
RBM9733B			6.0~13.8	0.50	2,800	19.6	10.8	48	•	•	•	•	
RBL9733B			6.0~13.8	0.30	2,200	15.1	6.2	41	•	•	•	•	
RBD9733S2	Sleeve	24	12.0~27.6	1.50	5,800	70.2	40.3	65	•	•			
RBH9733S2			12.0~27.6	0.55	3,300	23.3	15.7	51	•	•			
RBM9733S2			12.0~27.6	0.35	2,800	19.6	10.8	48	•	•			
RBL9733S2			12.0~27.6	0.20	2,200	15.1	6.2	41	•	•			
RBD9733B2	Ball		12.0~27.6	1.50	5,800	70.2	40.3	65	•	•			
RBH9733B2			12.0~27.6	0.55	3,300	23.3	15.7	51	•	•			
RBM9733B2			12.0~27.6	0.35	2,800	19.6	10.8	48	•	•			
RBL9733B2			12.0~27.6	0.20	2,200	15.1	6.2	41	•	•			
RBD9733S4	Sleeve	48	24.0~55.2	0.80	5,800	70.2	40.3	65	•	•			
RBH9733S4			24.0~55.2	0.30	3,300	23.3	15.7	51	•	•			
RBM9733S4			24.0~55.2	0.20	2,800	19.6	10.8	48	•	•			
RBL9733S4			24.0~55.2	0.15	2,200	15.1	6.2	41	•	•			
RBD9733B4	Ball		24.0~55.2	0.80	5,800	70.2	40.3	65	•	•			
RBH9733B4			24.0~55.2	0.30	3,300	23.3	15.7	51	•	•			
RBM9733B4			24.0~55.2	0.20	2,800	19.6	10.8	48	•	•			
RBL9733B4			24.0~55.2	0.15	2,200	15.1	6.2	41	•	•			

Notes: ©All readings are typical values at rated voltage.
©Specifications are subjected to change without prior notice.