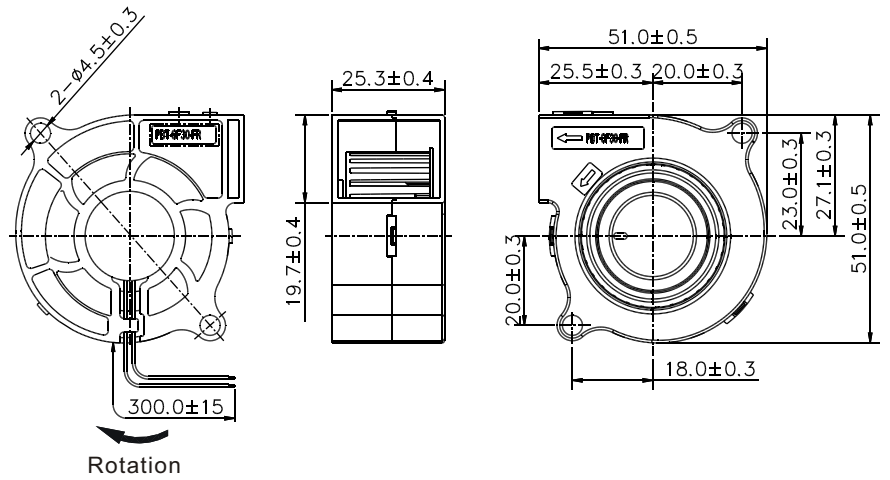


■ Dimensions Drawing

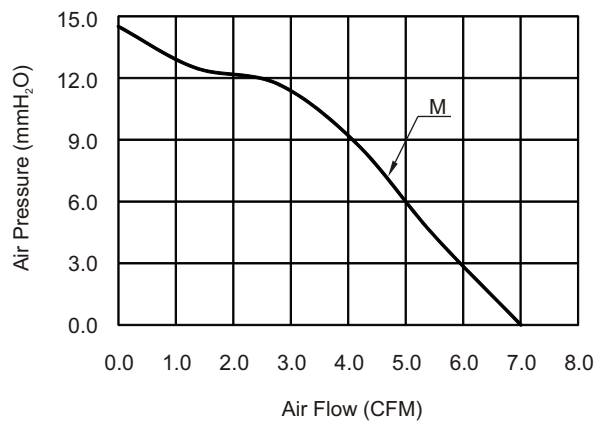


Unit: mm

General Specification:

- Frame and Impeller : Thermal Plastic , UL 94V-0
- Lead Wires : UL Type
(+) : Red (-) : Black
- Operation Temperature : -10°C~70°C、
35%~85%RH
- Storage Temperature : -40°C~80°C、
35%~85%RH

■ Performance Curves



Listed Model	Bearing System	Rated Voltage	Operation Voltage	Rated Current	Rated Speed	Air Flow	Air Pressure	Noise Level	Available Features (Optional)				Weight g
		VDC	VDC	A	RPM	CFM	mmH ₂ O	dB	Tachometer Output	Rotation Detector	Thermal Control	Pulse Width Modulation	
RBM5125S1	Sleeve	12	6.0~13.8	0.26	4,800	7.0	14.5	37.5	•	•	•	•	38